



MODEL MVA MASTER MIXING VALVE (34A SERIES)

Job Name:	Contractor:
Job Location:	P.O. Number:
Engineer:	Representative:
Tag:	Wholesale Distributor:

DESCRIPTION

Apollo® MVA thermostatic master mixing valves are designed for “point of source” ASSE 1017 approved applications. They provide reliable hot water temperature control of potable and non-potable hot water distribution systems. Models can be configured with several connection options to suit your application.

FEATURES

- Superior thermostatic element technology for optimum performance, reliability and accuracy
- Integral inlet Strainers and Check valves to protect against cross-flow and foreign particles in the piping system
- Thermostat over-temperature protection
- Tamper resistant maximum temperature calibration option
- Fingertip temperature control
- Meets the requirements of the EPA Safe Drinking Water Act
- Instantaneous cold or hot water supply failure shut-off protection
- Multiple connection options to fit your specific needs



MATERIAL

Body:	ASTM B584 Bronze
Shuttle:	Noryl® Modified PPO (Polyphenylene Oxide)
Sensor:	Copper/Wax filled
O-ring:	Chloramine Resistant EPDM
Spring:	ASTM A313 Stainless Steel
Cap:	ABS (Acrylonitrile Butadiene Styrene)



APPROVALS

- **ASSE 1017** – Temperature Actuated Mixing Valve for Hot Water Distribution Systems
- **CSA B125.3** – Plumbing Supply Fittings

PERFORMANCE RATING

Maximum working pressure	= 150 psig (1034 kPa)
Maximum working temperature	= 210 °F (99 °C)
Cold water inlet temperature range	= 39 – 80 °F (4 – 27 °C)
Hot water inlet temperature range	= 120 – 180 °F (49 – 82 °C)
Minimum Flowrate**	= ½ gpm (1.9 lpm)
Flowrate at 30 psid (138 kPa)	= 19 gpm (64 lpm)
Mixed water temperature range	= 85– 140°F (30 - 60°C) / 130-180°F (54 - 82°C)
Mixed water temperature tolerance	= ±5 °F (1.7 °C)

** Minimum flow when the valve is installed with recirculating water pump.



CONFIGURATION

Size

½" ¾" 1"

Inlets

Threaded Solder CPVC Pex

Outlet

Threaded Solder CPVC Pex

OPTIONS

Max Temperature Adjustment Setting (B suffix)

Preset to 120°F maximum temperature

High Temp Range (H) Radiant Heat Application

130°F-180°F (Not ASSE Certified)

See 34A-H submittal sheet

Lead Free construction certified 0.25% lead max.

Model 34ALF

Conbraco Industries, Inc. 701 Matthews Mint Hill Rd. Matthews NC 28106 USA; www.apollovalves.com ; 704-841-6000

This specification is provided for reference only. Conbraco reserves the right to change any portion of this specification without notice and without incurring obligation to make such changes to Conbraco products previously or subsequently sold.

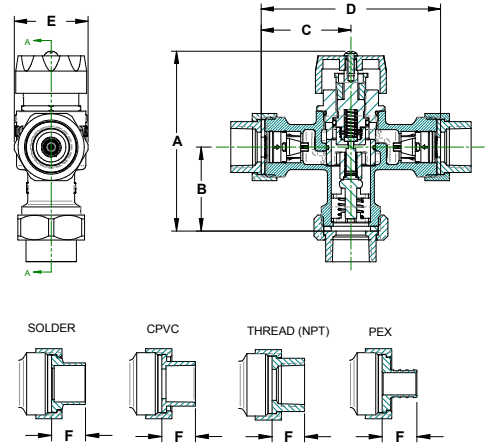
MODEL MVA

MASTER MIXING VALVE

(34A SERIES)

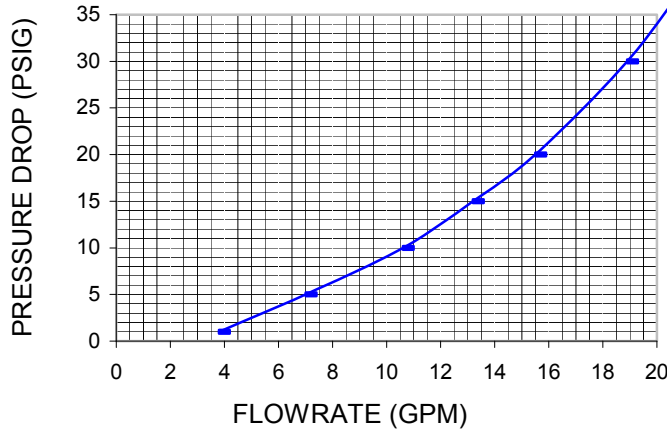
DIMENSIONS (Other end connection combinations are available upon request)

Model Number	Part Number	Connection Type	Dimensions (in.)						Unit Wt. (lbs.)
			A	B	C	D	E	F	
MVA-12	34A213T	1/2" FNPT	3.73	2.11	2.28	4.56	1.87	0.73	2.75
MVA-34	34A214T	3/4" FNPT						0.77	2.84
MVA-1	34A215T	1" FNPT						0.94	2.93
MVAS-12	34A213S	1/2" SOLDER	3.73	2.11	2.28	4.56	1.87	0.81	2.54
MVAS-34	34A214S	3/4" SOLDER						0.81	2.60
MVAS-1	34A215S	1" SOLDER						0.94	2.66
MVAC-12	34A213C	1/2" CPVC	3.73	2.11	2.28	4.56	1.87	0.58	2.39
MVAC-34	34A214C	3/4" CPVC						0.80	2.42
MVAC-1	34A215C	1" CPVC						1.09	2.45
MVAX-12	34A213X	1/2" PEX	3.73	2.11	2.28	4.56	1.87	0.83	2.54
MVAX-34	34A214X	3/4" PEX						0.83	2.60
MVAX-1	34A215X	1" PEX						1.04	2.66



MODEL NUMBERS	Size & Connection	Standard Model Order Number	Standard Model Model Number	120°F Adjustment Limit Stop Order Number	120°F Adjustment Limit Stop Model Number
	1/2" FNPT	34A213T	MVA-12	34A213BT	MVAB-12
	3/4" FNPT	34A214T	MVA-34	34A214BT	MVAB-34
	1" FNPT	34A215T	MVA-1	34A215BT	MVAB-1
	1/2" SOLDER	34A213S	MVAS-12	34A213BS	MVABS-12
	3/4" SOLDER	34A214S	MVAS-34	34A214BS	MVABS-34
	1" SOLDER	34A215S	MVAS-1	34A215BS	MVABS-1
	1/2" CPVC	34A213C	MVAC-12	34A213BC	MVABC-12
	3/4" CPVC	34A214C	MVAC-34	34A214BC	MVABC-34
	1" CPVC	34A215C	MVAC-1	34A215BC	MVABC-1
	1/2" PEX	34A213X	MVAX-12	34A213BX	MVABX-12
	3/4" PEX	34A214X	MVAX-34	34A214BX	MVABX-34
	1" PEX	34A215X	MVAX-1	34A215BX	MVABX-1

FLOW CURVE Flow curve is based on the following: Cold and hot water inlet pressures at 45 psig; cold water supply temperature at 55 ± 5 °F; hot water supply temperature at 140 ± 5 °F, and mixed water temperature at 105 ± 5 °F.



Conbraco Industries, Inc. 701 Matthews Mint Hill Rd. Matthews NC 28106 USA; www.apollovalves.com ; 704-841-6000

This specification is provided for reference only. Conbraco reserves the right to change any portion of this specification without notice and without incurring obligation to make such changes to Conbraco products previously or subsequently sold.