



# Model VR

## Vacuum Relief Valve

(37 Series)

Job Name:	Contractor:
Job Location:	P.O. Number:
Engineer:	Representative:
Tag:	Wholesale Distributor:

### DESCRIPTION

The Apollo® Model VR Vacuum Relief valve is designed to automatically vent a system should a vacuum occur. It prevents siphoning of water from the system and/or tank collapse.

### FEATURES

- New brass poppet for improved strength
- Sizes 1/2", and 3/4"
- Suitable for LP steam (15 psig max)
- Auto vacuum relief at less than 1/2" vacuum
- CSA 4.4/ ANSI Z21.22 certified

### CAPACITY

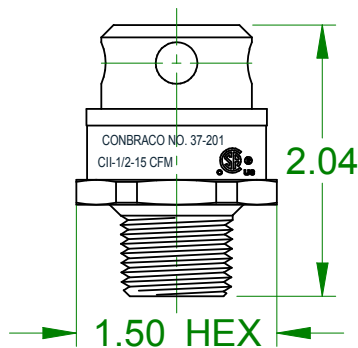
Model Number	Item Number	Size	Capacity (CFM)	Weight (lb.)
VR12	37201	1/2"	15.0	0.325
VR34	37202	3/4"	16.0	0.338

\*venting capacity shown measured in CFM OF AIR @ 2" mercury (vacuum).

### MATERIALS

Bonnet:	ASTM B16 Brass
Nozzle:	ASTM B16 Brass
Poppet:	ASTM B16 Brass
Seat Washer:	EPDM rubber
Spring:	Stainless Steel
Retainer:	Glass filled Noryl

### DIMENSIONS



### PERFORMANCE RATING

Maximum Pressure: 200 psig  
Maximum Temperature: 250°F

### OPTIONS

- Satin Brass finish (01)
- Satin Chrome finish (02)
- 1/2" Threaded Connection (37201)
- 3/4" Threaded Connection (37202)

### APPROVALS

- CSA 4.4/ ANSI Z21.22 "Relief Valves for Hot Water Supply Systems"



Conbraco Industries, Inc. 701 Matthews Mint Hill Rd. Matthews NC 28106 USA; [www.apollovalves.com](http://www.apollovalves.com); 704-841-6000

This specification is provided for reference only. Conbraco reserves the right to change any portion of this specification without notice and without incurring obligation to make such changes to Conbraco products previously or subsequently sold.