



MODEL DCAP

DUAL CHECK WITH ATMOSPHERIC PORT

40-400 SERIES

Job Name:	Contractor:
Job Location:	P.O. Number:
Engineer:	Representative:
Tag:	Wholesale Distributor:

SPECIFICATIONS

The Apollo® Model DCAP Dual Check with Atmospheric Port shall be manufactured in America with all domestic parts. The Model DCAP is designed to protect residential and commercial water supply lines from back-siphonage or backpressure of non-potable/non-hazardous substances. An intermediate atmospheric vent ensures protection from backflow conditions.

FEATURES

- Low pressure loss
- Corrosion resistant
- Independently acting check valves
- Easy to install and repair with built-in strainer
- Suitable for hot or cold water service
- MADE IN THE USA



MATERIAL SPECIFICATIONS

Part Name	Material
Body	Bronze C84400
Union Nut & Tailpieces	Brass C36000
Seat Discs & O-Rings	EPDM
Seats, Poppets & Retainer	Glass-filled Noryl®
Springs	Stainless Steel

ORDERING INFORMATION

4 0 - 4 X X - X X M



INLET CONNECTION

- A – FNPT H – Solder Joint
 F – Female BSPP

INLET & OUTLET SIZE

- 3 – 1/2" 4 – 3/4"

OUTLET CONNECTION

- A – FNPT F – Female BSPP
 B – MNPT H – Solder Joint

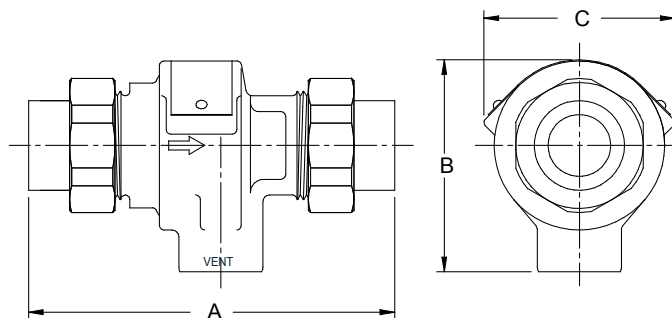
APPROVALS

ASSE® 1012 and CSA® B64.3

PERFORMANCE RATING

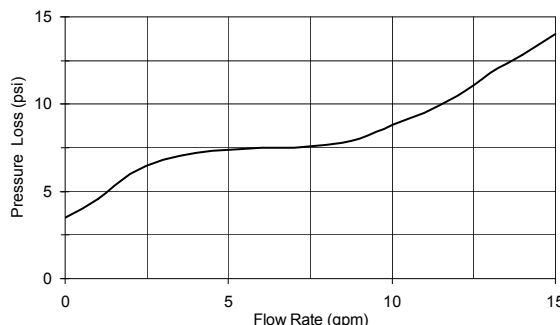
Maximum Operating Pressure 175 psi
 Inlet Temperature Range 33 °F – 210 °F
 Maximum Backflow Temperature 250 °F

DIMENSIONS (in.) – WEIGHTS (lbs.)



Size	1/2"	3/4"
A	5	5
B	3	3
C	2 5/8	2 5/8
Wt.	1.9	1.9

FLOW CURVES



Conbraco Industries, Inc. 701 Matthews Mint Hill Rd. Matthews NC 28105 USA; www.apollovalves.com; 704-841-6000