

"Apollo"[®] INTERNATIONAL

SUBMITTAL SHEET

Model 610F

Class 125 Non-Rising Stem Gate Valve



Job Name:	
Job Location:	
Engineer:	
Contractor:	
Tag:	
PO Number:	
Representative:	
Wholesale Distributor:	

DESCRIPTION

The **Apollo International™** Model 610F Flanged Cast Iron Gate valve provides full flow capabilities. The Model 610F Gate valve can reliably be installed in most plumbing and heating systems (or building service piping).

FEATURES

- Compatible with ANSI 125# & 150# Flanges
- Full Port
- Bronze Mounted Seat Rings
- Solid Wedge
- Adjustable Graphite Stem Packing
- Non-Rising Stem
- Flanged Connection
- Bolted Bonnet
- Rugged Iron Hand Wheel
- Back Seat Protection

STANDARDS

- MSS SP-70, "Gray Iron Gate Valves Flanged and Threaded"
- ASME B16.10, "Face-to-Face and End-to-End Dimensions of Valves"

PERFORMANCE RATING

- Saturated Steam:
125 psi (8.6 Bar) to 353°F(178°C) (2"-12")
100 psi (6.9 Bar) to 338°F(170°C) (14"-24")
- Cold Working Pressure:
200 psi (13.8 Bar) at 100°F (2"-12")
150 psi (10.3 Bar) at 100°F (14"-24")
- Temperature Range:
-20°F to 406°F

STANDARD MATERIALS LIST

	Part Name	Material
1	Body	Cast Iron (ASTM A 126 CL B)
2	Seat Rings	Cast Bronze (ASTM B62)
3	Wedge Face Rings	Cast Bronze (ASTM B62)
4	Wedge	Cast Iron (ASTM A 126 CL B)
5	Wedge Nut	Cast Bronze (ASTM B62)
6	Stem	Brass (ASTM B16)
7	Body Gasket	Graphite
8	Bolts	Carbon Steel (ASTM A307 B)
9	Nuts	Carbon Steel (ASTM A307 B)
10	Bonnet	CAST Iron (ASTM A 126 CL B)
11	Gland Follower Bolts	Carbon Steel (ASTM A307 B)
12	Stuffing Box Gaskets	Graphite
13	Stuffing Box	Cast Iron (ASTM A 126 CL B)
14	Packing	Graphite
15	Gland Follower	Ductile Iron (ASTM A536 65-45-12)
16	Packing Gland	Cast Bronze (ASTM B584)
17	Handwheel	Cast Iron (ASTM A 126 CL B)
18	Nameplate	Aluminum
19	Washer	Carbon Steel (ASTM A307 B)
20	Handwheel Nut	Ductile Iron (ASTM A536 65-45-12)

ORDER INFORMATION

Size (in.)	Part Number
2"	6GA108B1
2-1/2"	6GA109B1
3"	6GA100B1
4"	6GA10AB1
5"	6GA10BB1
6"	6GA10CB1
8"	6GA10EB1
10"	6GA10GB1
12"	6GA10HB1
14"	6GA10JB1
16"	6GA10KB1
18"	6GA10MB1
20"	6GA10NB1
24"	6GA10PB1

Apollo Valves / **Conbraco Industries, Inc.**
701 Matthews Mint-Hill Road, Matthews, NC 28105 USA
www.apollovalves.com | (704) 841-6000

This specification is provided for reference only. Conbraco Industries Inc. reserves the right to change any portion of this specification without notice and without incurring obligation to make such changes to Conbraco products previously or subsequently sold. Please visit our website @ www.apollovalves.com for the most current information.

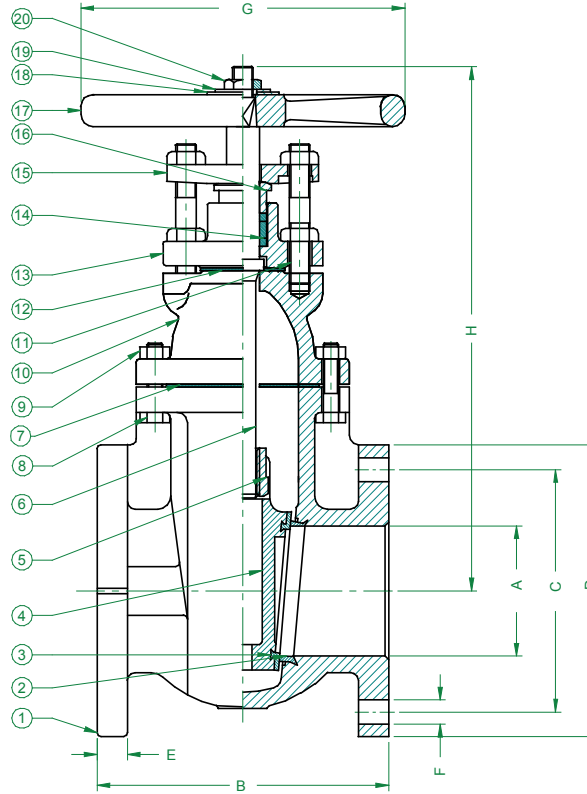


"Apollo"[®] INTERNATIONAL

SUBMITTAL SHEET

Model 610F

Class 125 Non-Rising Stem **Gate Valve**



Size (in.)	Dimensions (in.)								Wt. (lbs.)	Cv (Typ)
	A	B	C	D	E	F	G	H (Open)		
2"	2.00	7.00	4.75	6.00	0.62	0.75	7	14.57	36	328
2.5"	2.50	7.50	5.50	7.00	0.69	0.75	7	16.34	48	482
3"	3.00"	8.00	6.00	7.50	0.75	0.75	8	18.90	59	744
4"	4.00	9.00	7.50	9.00	0.94	0.75	10	20.67	104	1316
5"	5.00	10.00	8.50	10.00	0.94	0.88	12	24.61	150	2130
6"	6.00	10.50	9.50	11.00	1.00	0.88	12	28.74	192	3176
8"	8.00	11.50	11.75	13.50	1.12	0.88	14	32.48	260	5692
10"	10.00	13.00	14.25	16.00	1.19	1.00	16	37.40	434	8972
12"	12.00	14.00	17.00	19.00	1.25	1.00	18	43.31	606	13352
14"	14.00	15.00	18.75	21.00	1.38	1.14	20	37.01	926	16278
16"	16.00	16.00	21.25	23.50	1.44	1.14	22	42.52	1098	21564
18"	18.00	17.00	22.75	25.00	1.56	1.26	24	46.46	1543	28716
20"	20.00	18.00	25.00	27.50	1.69	1.26	25	54.33	1638	35762
24"	24.00	20.00	29.50	32.00	1.88	1.38	25	57.48	2756	52166

Cv = GPM @1 psi pressure drop, 60°F water

*Cv values are estimates only

Apollo Valves / **Conbraco Industries, Inc.**
701 Matthews Mint-Hill Road, Matthews, NC 28105 USA
www.apollovalves.com | (704) 841-6000

This specification is provided for reference only. Conbraco Industries Inc. reserves the right to change any portion of this specification without notice and without incurring obligation to make such changes to Conbraco products previously or subsequently sold. Please visit our website @ www.apollovalves.com for the most current information.

