

"Apollo"[®]
INTERNATIONAL

SUBMITTAL SHEET

Model 620F

Class 250 Non-Rising Stem Gate Valve



Job Name:	
Job Location:	
Engineer:	
Contractor:	
Tag:	
PO Number:	
Representative:	
Wholesale Distributor:	

DESCRIPTION

The **Apollo International™** Model 620F Flanged Cast Iron Gate valve provides full flow capabilities. The Model 620F Gate valve can reliably be installed in most plumbing and heating systems (or building service piping).

FEATURES

- Compatible with ANSI 250# & 300# Flanges
- Full Port
- Bronze Mounted Seat Rings
- Solid Wedge
- Adjustable Graphite Stem Packing
- Non-Rising Stem
- Flanged Connection
- Bolted Bonnet
- Rugged Iron Hand Wheel
- Back Seat Protection

STANDARDS

- MSS SP-70, "Gray Iron Gate Valves Flanged and Threaded"
- ASME B16.10, "Face-to-Face and End-to-End Dimensions of Valves"

PERFORMANCE RATING

- Saturated Steam: 250 psi (17.2 Bar) to 406°F(207°C)
- Cold Working Pressure: 500 psi (34.5 Bar) at 100°F
- Temperature Range: -20°F to 406°F

STANDARD MATERIALS LIST

	Part Name	Material
1	Body	Cast Iron (ASTM A 126 CL B)
2	Seat Rings	Cast Bronze (ASTM B62)
3	Wedge Face Rings	Cast Bronze (ASTM B62)
4	Wedge	Cast Iron (ASTM A 126 CL B)
5	Wedge Nut	Cast Bronze (ASTM B62)
6	Stem	Brass (ASTM B16)
7	Body Gasket	Graphite
8	Bolts	Carbon Steel (ASTM A307 B)
9	Nuts	Carbon Steel (ASTM A307 B)
10	Bonnet	Cast Iron (ASTM A 126 CL B)
11	Gland Follower Bolts	Carbon Steel (ASTM A307 B)
12	Stuffing Box Gaskets	Graphite
13	Stuffing Box	Cast Iron (ASTM A 126 CL B)
14	Packing	Graphite
15	Gland Follower	Ductile Iron (ASTM A536 65-45-12)
16	Packing Gland	Cast Bronze (ASTM B584)
17	Handwheel	Cast Iron (ASTM A 126 CL B)
18	Nameplate	Aluminum
19	Washer	Carbon Steel (ASTM A307 B)
20	Handwheel Nut	Ductile Iron (ASTM A536 65-45-12)

ORDER INFORMATION

Size (in.)	Part Number
2"	6GA208B1
2-1/2"	6GA209B1
3"	6GA200B1
4"	6GA20AB1
5"	6GA20BB1
6"	6GA20CB1
8"	6GA20EB1
10"	6GA20GB1
12"	6GA20HB1

Apollo Valves / **Conbraco Industries, Inc.**
701 Matthews Mint-Hill Road, Matthews, NC 28105 USA
www.apollovalves.com | (704) 841-6000

This specification is provided for reference only. Conbraco Industries Inc. reserves the right to change any portion of this specification without notice and without incurring obligation to make such changes to Conbraco products previously or subsequently sold. Please visit our website @ www.apollovalves.com for the most current information.

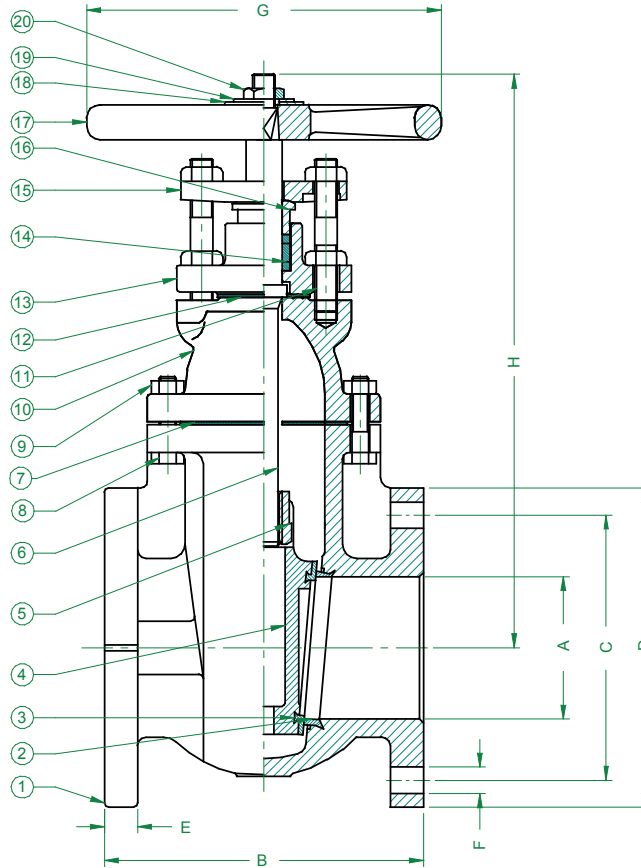


"Apollo"[®] INTERNATIONAL

SUBMITTAL SHEET

Model 620F

Class 250 Non-Rising Stem Gate Valve



Size (in.)	Dimensions (in.)								Wt. (lbs.)	Cv (Typ)
	A	B	C	D	E	F	G	H (Open)		
2"	2.00	8.50	5.00	6.50	0.88	0.75	7	11.28	42	328
2.5"	2.50	9.50	5.88	7.50	1.00	0.88	7	12.72	55	482
3"	3.00	11.12	6.62	8.25	1.12	0.88	8	13.31	66	744
4"	4.00	12.00	7.88	10.00	1.25	0.88	10	16.18	115	1316
5"	5.00	15.00	9.25	11.00	1.38	0.88	12	19.80	161	2130
6"	6.00	15.88	10.62	12.50	1.44	0.88	12	22.00	205	3176
8"	8.00	16.50	13.00	15.00	1.62	1.00	14	25.59	278	5692
10"	10.00	18.00	15.25	17.50	1.88	1.12	16	30.31	456	8972
12"	12.00	19.75	17.75	20.50	2.00	1.25	18	33.90	633	13352

Cv = GPM @1 psi pressure drop, 60°F water

*Cv values are estimates only

Apollo Valves / **Conbraco Industries, Inc.**
701 Matthews Mint-Hill Road, Matthews, NC 28105 USA
www.apollovalves.com | (704) 841-6000

This specification is provided for reference only. Conbraco Industries Inc. reserves the right to change any portion of this specification without notice and without incurring obligation to make such changes to Conbraco products previously or subsequently sold. Please visit our website @ www.apollovalves.com for the most current information.

