



SUBMITTAL SHEET

Model 621F

Class 250 Outside Screw & Yoke Gate Valve



Job Name:	
Job Location:	
Engineer:	
Contractor:	
Tag:	
PO Number:	
Representative:	
Wholesale Distributor:	

DESCRIPTION

The **Apollo International™** Model 621F Flanged Cast Iron Gate valve provides full flow capabilities. The Model 621F Gate valve can reliably be installed in most plumbing and heating systems (or building service piping).

FEATURES

- Compatible with ANSI 250# & 300# Flanges
- Full Port
- Bronze Mounted Seat Rings
- Solid Wedge
- Adjustable Graphite Stem Packing
- Outside Screw & Yoke
- Flanged Connection
- Bolted Bonnet
- Rugged Iron Hand Wheel
- Back Seat Protection

STANDARDS

- MSS SP-70, "Gray Iron Gate Valves Flanged and Threaded"
- ASME B16.10, "Face-to-Face and End-to-End Dimensions of Valves"

PERFORMANCE RATING

- Saturated Steam: 250 psi (17.2 Bar) to 406°F(207°C)
- Cold Working Pressure: 500 psi (34.5 Bar) at 100°F
- Temperature Range: -20°F to 406°F

STANDARD MATERIALS LIST

	Part Name	Material
1	Body	Cast Iron (ASTM A126 CL B)
2	Seat Rings	Cast Bronze (ASTM B62)
3	Wedge Face Rings	Cast Bronze (ASTM B62)
4	Wedge	Cast Iron (ASTM A126 CL B)
5	Stem	Brass (ASTM B16)
6	Body Gasket	Graphite
7	Bolts	Carbon Steel (ASTM A307 B)
8	Nuts	Carbon Steel (ASTM A307 B)
9	Bonnet	Cast Iron (ASTM A126 CL B)
10	Back Seat Bushing	Cast Bronze (ASTM B584)
11	Packing	Graphite
12	Packing Gland	Cast Bronze (ASTM B584)
13	Gland Follower Bolts	Carbon Steel (ASTM A307 B)
14	Gland Follower Nuts	Carbon Steel (ASTM A307 B)
15	Gland Follower	Ductile Iron (ASTM A536 65-45-12)
16	Yoke Bushing	Cast Bronze (ASTM B62)
17	Yoke Bushing Nut	Cast Iron (ASTM A126 CL B)
18	Screw	Carbon Steel (ASTM A307 B)
19	Handwheel	Cast Iron (ASTM A126 CL B)
20	Nameplate	Aluminum
21	Handwheel Nut	Ductile Iron (ASTM A536 65-45-12)
22	Yoke	Cast Iron (ASTM A126 CL B)

ORDER INFORMATION

Size (in.)	Part Number
2"	6GA218B1
2-1/2"	6GA219B1
3"	6GA210B1
4"	6GA21AB1
5"	6GA21BB1
6"	6GA21CB1
8"	6GA21EB1
10"	6GA21GB1
12"	6GA21HB1

Apollo Valves / **Conbraco Industries, Inc.**
 701 Matthews Mint-Hill Road, Matthews, NC 28105 USA
www.apollovalves.com | (704) 841-6000

This specification is provided for reference only. Conbraco Industries Inc. reserves the right to change any portion of this specification without notice and without incurring obligation to make such changes to Conbraco products previously or subsequently sold. Please visit our website @ www.apollovalves.com for the most current information.

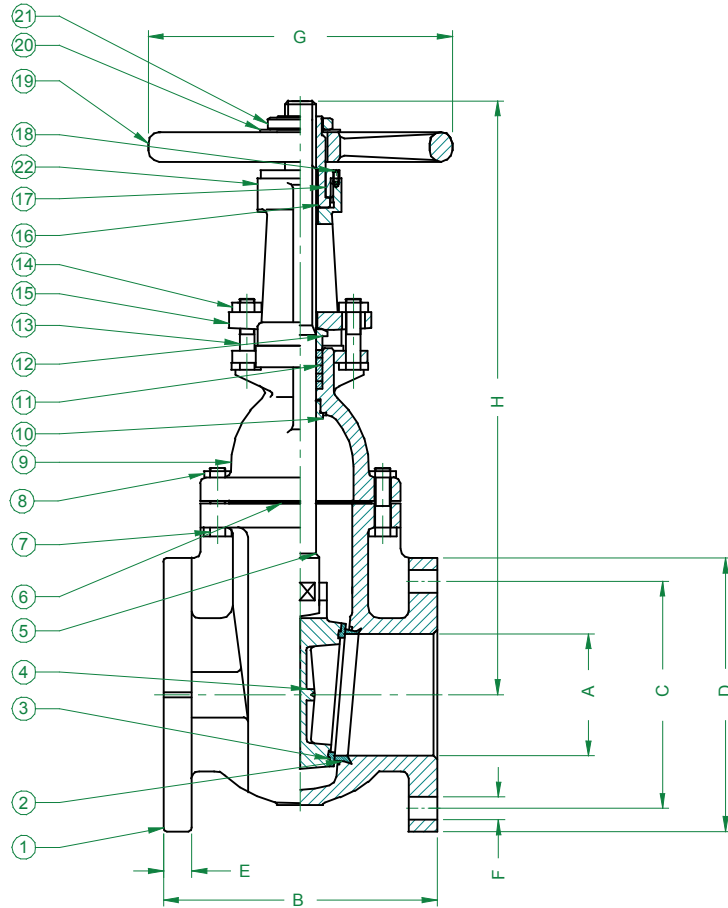


"Apollo"[®] INTERNATIONAL

SUBMITTAL SHEET

Model 621F

Class 250 Outside Screw & Yoke **Gate Valve**



Size (in.)	Dimensions (in.)								Wt. (lbs.)	Cv (Typ)
	A	B	C	D	E	F	G	H (Open)		
2"	2.00	8.50	5.00	6.50	0.88	0.75	7	14.96	44	328
2.5"	2.50	9.50	5.88	7.50	1.00	0.88	7	16.93	57	482
3"	3.00	11.12	6.62	8.25	1.12	0.88	8	19.09	71	744
4"	4.00	12.00	7.88	10.00	1.25	0.88	10	24.21	121	1316
5"	5.00	15.00	9.25	11.00	1.38	0.88	12	27.56	165	2130
6"	6.00	15.88	10.62	12.50	1.44	0.88	12	32.87	216	3176
8"	8.00	16.50	13.00	15.00	1.62	1.00	14	39.76	302	5692
10"	10.00	18.00	15.25	17.50	1.88	1.12	16	48.03	481	8972
12"	12.00	19.75	17.75	20.50	2.00	1.25	18	56.50	642	13352

Cv = GPM @1 psi pressure drop, 60°F water

*Cv values are estimates only

Apollo Valves / **Conbraco Industries, Inc.**
701 Matthews Mint-Hill Road, Matthews, NC 28105 USA
www.apollovalves.com | (704) 841-6000

This specification is provided for reference only. Conbraco Industries Inc. reserves the right to change any portion of this specification without notice and without incurring obligation to make such changes to Conbraco products previously or subsequently sold. Please visit our website @ www.apollovalves.com for the most current information.

