



64WC SERIES

APOLLO-PRESS® Ball Valve

Job Name:	Contractor:
Job Location:	P.O. Number:
Engineer:	Representative:
Tag:	Wholesale Distributor:

DESCRIPTION

The Apollo International 64WC APOLLO-PRESS® ball valve is designed for direct mechanical connection to ASTM B88-Type K, L, and M copper tubing in the hard drawn condition for sizes 2-1/2", 3 and 4". The valve is ideal for general plumbing and heating applications.

FEATURES

- Full-Port
- Adjustable Stem Packing
- Blow-Out Proof Stem
- Dezincification Resistant Brass Body
- 100% Factory Tested
- Ridgid® XL-C Press Tool Compatible

PERFORMANCE RATING

- Maximum Operating Pressure based on Press Connection : 200 psi
- Valve Design Rating: 600 CWP
- Temperature Range 0°F-250°F

APPROVED APPLICATIONS

- Water including Potable Water
- Hydronic Heating (50% glycol max)
- Not compatible with soft annealed copper tubing

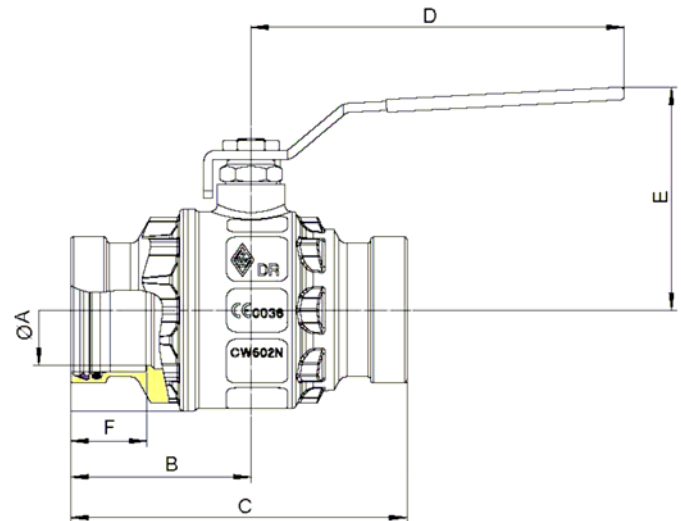
MATERIAL SPECIFICATIONS

Part Name	Material
Body	Brass CW 602N
Retainer	Brass CW 602N
Ball	Brass CB 763-S Plated
Stem	Brass CW 614N
Packing Gland	Brass CW 614N
Compression Ring	Steel
Handle	Steel Plated
Seats	PTFE
Stem Seal/Thrust Washer	PTFE
Stem Seal	PTFE
Stem O-Ring	NBR
O-Ring	EPDM
Nuts	Steel Plated



DIMENSIONS (in)

Part #	Size	ØA	B	C	D	E	F	Wt. (lbs.)
64WC0901	2-1/2"	2.40	3.94	7.30	8.07	5.08	1.65	9.0
64WC0001	3"	2.87	4.63	8.60	8.07	5.51	1.97	14.6
64WC0A01	4"	3.82	5.30	10.26	10.24	6.30	3.42	22.5



APPROVALS

- MSS SP-110 Ball Valves

OPTIONS

OPTIONAL KITS VALVE SIZE	2" STEM EXTENSIONS	LEVER HANDLES
2-1/2" - 3"	78150501	78165002
4"	-	78165102

Conbraco Industries, Inc. 701 Matthews Mint Hill Rd. Matthews NC 28106 USA; www.apollovalves.com ; 704-841-6000

This specification is provided for reference only. Conbraco reserves the right to change any portion of this specification without notice and without incurring obligation to make such changes to Conbraco products previously or subsequently sold.