



64 SERIES Full-Port Brass Ball Valve

Job Name:	Contractor:
Job Location:	P.O. Number:
Engineer:	Representative:
Tag:	Wholesale Distributor:

DESCRIPTION

The Apollo International® 64 Series is an economy full port forged brass ball valve ideal for a wide range of plumbing and heating applications.

FEATURES

- 100% Factory Tested to MSS SP-110
- Meets ANSI/NSF 61-2004
- Blow-out Proof Stem Design
- Adjustable Stem Packing
- Secondary O-ring Stem Seal
- Directive 2002/95/CE (RoHS) Compliant

PERFORMANCE RATING

- Valve Design Rating: 600 CWP
- Max Temperature: 366°F

MATERIALS

Part Name	Material
Body	Forged Brass (Cu >57%)
Retainer	Forged Brass (Cu >57%)
Ball	Brass, Cr plated
Stem	Brass, Cr plated
Seat Ring	PTFE
Stem Seal	NBR 75 Shore A
Stem Packing	PTFE
Packing Nut	Plated Steel
Packing Gland	Brass
Handle	Zinc Plated Steel
Handle Cover	PVC

APPROVALS

- CSA:** 1/4"-4" NPT per ANSI Z21.15/CGA 9.1 (1/2 psi)
 1/4"-4" NPT per ASME B16.44 (5 psi)
 1/2"-2" NPT per ASME B16.33 (125 psi)
 2 1/2"-4" NPT per ASME B16.38 (125 psi)
- UL:** 1/4" 1" UL 125, "Guide YSDT"
 1/4"-1" UL 842, "Guides YRPY, JRBX, MHKZ"
 1/4"-2" UL Subject 258, "Guide VQGU"
- FM:** 1/4"-2" per FM1140
- NSF:** ANSI/NSF 61-2005, "Drinking Water System Components - Health Effects."

OPTIONAL KITS

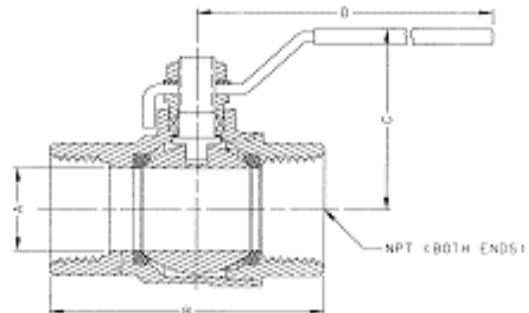
Valve Size	Locking Handle	2" Stem Extension	Balancing Stop
1/4", 3/8", 1/2"	78165902	78150101	78150601
3/4", 1"	78166002	78150201	78150701
1-1/4", 1-1/2"	78166102	78150301	78150801
2"	78166202	78150401	78150901
2-1/2", 3"	N/A	78150501	N/A
4"		N/A	

* Note: Locking handle cannot be used with 2" stem extension



DIMENSIONS

Part No.	Size	A	B	C	D	Cv	Wt.(lbs.)
NPT							
64-101	1/4"	0.39	2.02	1.75	3.85	6	0.33
64-102	3/8"	0.39	2.02	1.75	3.85	7	0.30
64-103	1/2"	0.59	2.44	1.88	3.85	19	0.51
64-104	3/4"	0.78	2.71	2.28	4.80	34	0.80
64-105	1"	0.98	3.07	2.44	4.80	50	1.25
64-106	1 1/4"	1.25	3.42	3.07	6.02	104	2.26
64-107	1 1/2"	1.57	3.89	3.34	6.02	268	3.39
64-108	2"	1.96	4.33	3.79	6.37	309	4.25
64-109	2 1/2"	2.56	5.59	5.02	8.07	629	8.60
64-100	3"	3.15	6.45	5.45	8.07	1018	13.35
64-10A	4"	3.94	7.60	6.34	10.23	1622	22.05
SOLDER							
64-203	1/2"	0.59	2.53	1.88	3.85	19	0.51
64-204	3/4"	0.78	2.99	2.28	4.80	34	0.78
64-205	1"	0.98	3.58	2.44	4.80	50	1.14
64-206	1 1/4"	1.25	4.09	3.07	6.02	104	2.07
64-207	1 1/2"	1.57	4.56	3.34	6.02	268	3.42
64-208	2"	1.96	5.43	3.79	6.37	309	4.49
64-209	2 1/2"	2.56	6.93	5.02	8.07	629	10.00
64-200	3"	3.15	8.09	5.45	8.07	1018	15.00
64-20A	4"	4.13	10.25	6.34	10.23	1622	25.00



Conbraco Industries, Inc. 701 Matthews Mint Hill Rd. Matthews NC 28106 USA; www.apollovalves.com

This specification is provided for reference only. Conbraco reserves the right to change any portion of this specification without notice and without incurring obligation to make such changes to Conbraco products previously or subsequently sold.