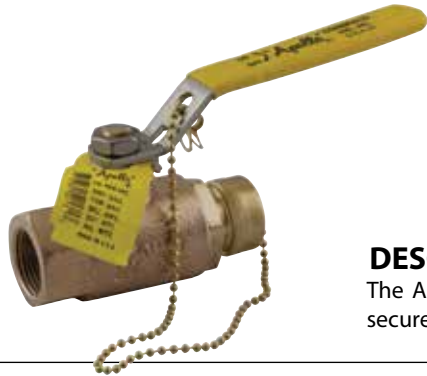


"Apollo" Valves

SUBMITTAL SHEET

70-100 HC Series

Full Port Brass Ball Valve



Job Name:	
Job Location:	
Engineer:	
Contractor:	
Tag:	
PO Number:	
Representative:	
Wholesale Distributor:	



DESCRIPTION

The Apollo® 70-100HC Series is ideally suited for direct connection to hoses. Valve contains a securely attached cover with chain which prevents damage to hose threads.

FEATURES

- Stainless Steel Lever & Nut
- Blow-Out-Proof Stem Design
- Adjustable Packing Gland
- RPTFE Seats and Stuffing Box Ring
- Cap & Chain protects hose threads
- Heavy brass cap is full pressure rated
- Reverse Handle
- NPT x 3/4" NPSH
- Manufactured and 100% Factory Tested in the USA

APPROVALS

- MSS SP-110; Ball Valves Threaded, Socket-Welding, Solder Joint, Grooved and Flared Ends

OPTIONS

- (-03) 1 1/4" CS Stem Extension 1/2" - 1"
- (-04) 2 1/4" CS Stem Extension 1/2" - 1"
- (-07) Steel Tee Handle 1/2" - 1"
- (-11) Therma-Seal™ Insulating Tee Handle 1/2" - 1"
- (-15) Wheel Handle, Steel 1/2" - 1"
- (-27) SS Latch-Lock Lever & Nut 1/2" - 1"
- (-93) 1-1/4" Extension w/ Balancing stop 1/2" - 1"
- (-94) 2-1/4" Extension w/ Balancing stop 1/2" - 1"
- 70-140-HC Series - 316 SS Ball & Stem 1/2" - 1"

STANDARD MATERIALS LIST

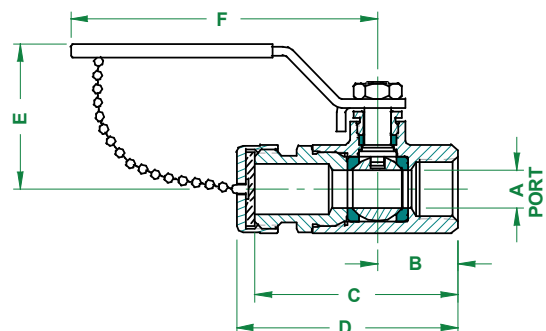
Part Name	Material
Lever and Grip	Stainless Steel w/ Vinyl
Stem Packing	MPTFE
Stem Bearing	RPTFE
Ball	B16, Chrome Plated or B283, C37700
Seat (2)	RPTFE
Retainer	B16 Brass
Gland Nut	B16 Brass
Stem	B16 Brass
Lever Nut	Stainless Steel
Body	B584-C84400

PERFORMANCE RATING

- Maximum Pressure: 600 psi CWP
- Vacuum Service to 29 in. Hg

DIMENSIONS

Part Number	Size (in.)	Dimensions (in.)						Wt. (lbs.)
		A	B	C	D	E	F	
70-103-HC	1/2"	0.50	1.09	2.75	2.99	1.94	4.18	0.63
70-104-HC	3/4"	0.68	1.50	3.41	3.66	2.32	5.31	1.30
70-105-HC	1"	0.87	1.67	3.92	4.16	2.43	5.31	2.11



Apollo Valves, Manufactured by **Conbraco Industries, Inc.**
 701 Matthews Mint-Hill Road, Matthews, NC 28105 USA
www.apollovalves.com | (704) 841-6000

This specification is provided for reference only. Conbraco Industries Inc. reserves the right to change any portion of this specification without notice and without incurring obligation to make such changes to Conbraco products previously or subsequently sold. Please visit our website @ www.apollovalves.com for the most current information.

