



# 70B-140 SERIES

## Power Piping Bronze Ball Valve

Job Name:	Contractor:
Job Location:	P.O. Number:
Engineer:	Representative:
Tag:	Wholesale Distributor:

### DESCRIPTION

The Apollo® 70B Series has the same rugged features as the standard 70 Series valves but with ASTM B62 bronze shell components. The 70B has trusted performance along with a wide range of options to suit every application.



### FEATURES

- Stainless Steel Ball & Stem
- Blow-Out-Proof Stem Design
- Adjustable Packing Gland
- MPTFE Seats and Stuffing Box Ring
- 100% Factory Tested
- 85-5-5-5 Retainer & Body

### PERFORMANCE RATING

- Maximum Pressure: 600 psig CWP, 250 psig SWP
- Maximum Temperature: 500°F
- Vacuum Service to 29 in. Hg

### MODELS

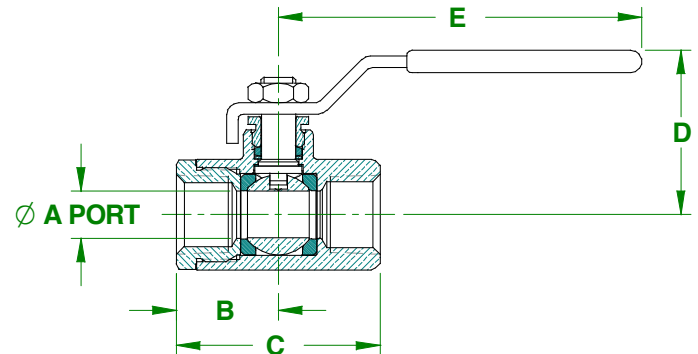
- 70B-150 Series                      Balancing Stop Lever
- 70B-190 Series                      Pinned Retainer

### STANDARD MATERIALS LIST

Part Name	Material
Lever and Grip	Steel, Zinc Plated w/ Vinyl
Stem Packing	MPTFE
Stem Bearing	RPTFE
Ball	ASTM A276-316
Seat (2)	MPTFE
Retainer	B505-C83600 (1/4" to 1")
	B62-C83600 (1 1/4" - 2")
Gland Nut	B505-C83600
Stem	ASTM A276-316
Lever Nut	Steel, Zinc Plated
Body	B62-C83600

### DIMENSIONS

Model Number	Size (in.)	Dimensions					Wt. (lb.)
		A	B	C	D	E	
70B14164	1/4"	0.37	1.03	2.06	1.75	3.87	0.60
70B14264	3/8"	0.37	1.03	2.06	1.75	3.87	0.56
70B14364	1/2"	0.50	1.12	2.25	1.75	3.87	0.63
70B14464	3/4"	0.68	1.50	3.00	2.12	4.87	1.39
70B14564	1"	0.87	1.68	3.37	2.25	4.87	1.72
70B14664	1 1/4"	1.00	2.00	4.00	2.62	5.50	3.26
70B14764	1 1/2"	1.25	2.18	4.37	3.06	8.00	4.61
70B14864	2"	1.50	2.34	4.68	3.25	8.00	6.06



### APPROVALS

- MSS SP-110; Ball Valves Threaded, Socket-Welding, Solder Joint, Grooved and Flared Ends
- CRN: OC10908.5C
- ASME B31.1, "POWER PIPING"

Conbraco Industries, Inc. 701 Matthews Mint Hill Rd. Matthews NC 28106 USA; [www.apollovalves.com](http://www.apollovalves.com); 704-841-6000

This specification is provided for reference only. Conbraco reserves the right to change any portion of this specification without notice and without incurring obligation to make such changes to Conbraco products previously or subsequently sold.



# 70B-140 SERIES

## Power Piping Bronze Ball Valve

### OPTIONS

- |   |           |
|---|-----------|
| <input type="checkbox"/> (-02) Stem Grounded                            | 3/4" - 2" |
| <input type="checkbox"/> (-03) 1 1/4" CS Stem Extension                 | 3/4" - 2" |
| <input type="checkbox"/> (-04) 2 1/4" CS Stem Extension                 | 3/4" - 2" |
| <input type="checkbox"/> (-07) Steel Tee Handle                         | 3/4" - 2" |
| <input type="checkbox"/> (-08) 90° Reversed Stem                        | 3/4" - 2" |
| <input type="checkbox"/> (-10) SS Lever & Nut                           | 3/4" - 2" |
| <input type="checkbox"/> (-14) Side Vented Ball (Uni-Directional)       | 3/4" - 2" |
| <input type="checkbox"/> (-15) Wheel Handle, Steel                      | 3/4" - 2" |
| <input type="checkbox"/> (-16) Chain Lever-Vertical                     | 3/4" - 2" |
| <input type="checkbox"/> (-24) Graphite Packing                         | 3/4" - 2" |
| <input type="checkbox"/> (-27) SS Latch-Lck Lever & Nut                 | 3/4" - 2" |
| <input type="checkbox"/> (-30) Cam-Lock & Grounded                      | 3/4" - 2" |
| <input type="checkbox"/> (-32) SS Tee Handle & Nut                      | 3/4" - 2" |
| <input type="checkbox"/> (-39) SS Hi-Rise Locking Wheel Handle & Nut    | 3/4" - 2" |
| <input type="checkbox"/> (-40) Cyl-Loc & Grounded                       | 3/4" - 2" |
| <input type="checkbox"/> (-45) Less Lever & Nut                         | 3/4" - 2" |
| <input type="checkbox"/> (-46) Latch Lck Lever-Lck Closed Position Only | 3/4" - 2" |
| <input type="checkbox"/> (-47) SS Oval Latch-Lock Handle & Nut          | 3/4" - 1" |
| <input type="checkbox"/> (-48) SS Oval Handle (No Latch) & Nut          | 3/4" - 2" |
| <input type="checkbox"/> (-49) Assembled Dry                            | 3/4" - 2" |
| <input type="checkbox"/> (-50) 2-1/4" CS Locking Stem Extension         | 3/4" - 2" |
| <input type="checkbox"/> (-57) Oxygen Cleaned                           | 3/4" - 2" |
| <input type="checkbox"/> (-58) Chain Lever-Horizontal                   | 3/4" - 2" |
| <input type="checkbox"/> (-60) Static Grounded Ball & Stem              | 3/4" - 2" |
| <input type="checkbox"/> (-P01) BSPP (Parallel) Threaded Connection     | 1/4" - 2" |
| <input type="checkbox"/> (-P01) BSPT (Tapered) Threaded Connection      | 1/4" - 2" |