

"Apollo" Valves

# SUBMITTAL SHEET

## LEAD FREE

### 70LF-200 Series

Solder Bronze Ball Valve



<b>Job Name:</b>	
<b>Job Location:</b>	
<b>Engineer:</b>	
<b>Contractor:</b>	
<b>Tag:</b>	
<b>PO Number:</b>	
<b>Representative:</b>	
<b>Wholesale Distributor:</b>	



### DESCRIPTION

The Apollo® 70LF Series has the same rugged features as the industry standard 70 Series valves with the added advantage of Lead Free\* materials. The 70LF is ideal for plumbing and heating systems, including potable water. Trusted Apollo® performance with a wide range of popular options.

### FEATURES

- Lead Free\* Brass & Bronze Materials
- ANSI/NSF 61 Section 8 2008 180°F
- Easily Identifiable Blue "Lead Free" Hang Tag
- RPTFE Seats and Stuffing Box Ring
- Chromium Plated Ball
- Designed, Manufactured and 100% Factory Tested in the USA
- EZ Solder Bronze

### PERFORMANCE RATING

- CWP: 600 psi (41.37 Bar) at 100°F
- SWP: 150 psi (10.34 Bar) at 366°F
- Maximum Temperature: 450°F
- Vacuum Service to 29 in. Hg

### MODELS

- 70LF-200 Series Standard
- 70LF-240 Series 316 SS Ball & Stem

### APPROVALS

- MSS SP-110; Ball Valves Threaded, Socket-Welding, Solder Joint, Grooved and Flared Ends
- NSF /ANSI 61-8 , Annex G
- NSF /ANSI 372 Lead Free\* ANSI 3RD Party Certified
- CRN: OC10908.5C

### OPTIONS

- (-04) 2 1/4" CS Stem Extension 3/8" - 3"
- (-07) Steel Tee Handle 3/8" - 2"
- (-10) SS Lever & Nut 3/8" - 3"
- (-11) Therma-Seal™ Insulating Tee Handle 3/8" - 2"
- (-27) SS Latch-Lock Lever & Nut 3/8" - 4"
- (-32) SS Tee Handle & Nut 3/8" - 2"
- (-47) SS Oval Latch-Lock Handle & Nut 3/8" - 1"
- (-48) SS Oval Handle (No Latch) & Nut 3/8" - 2"
- (-92) Balancing Stop 3/8" - 3"
- (-94) -04 option & Balancing Stop 3/8" - 3"

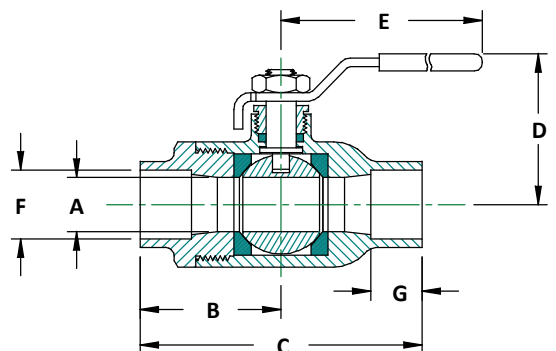
### STANDARD MATERIALS LIST

Part Name	Material
Lever and Grip	Steel, Zinc Plated w/ Vinyl Grip
Stem Packing	RPTFE
Stem Bearing	RPTFE
Ball	C27451, Lead Free* Brass, Cr Plated
Seat (2)	RPTFE
Retainer	C27451 Lead Free* Brass (3/8" to 1")
	C89836 Lead Free* Bronze (1-1/4" - 4")
Gland Nut	B16 Brass
Stem	C27451 Lead Free* Brass
Lever Nut	Steel, Zinc Plated
Body	C89836 Lead Free* Bronze

### DIMENSIONS

Part Number	Size (in.)	Dimensions (in.)							Wt. (lbs.)
		A	B	C	D	E	F	G	
70LF-202-01	3/8"	0.37	1.28	2.56	1.75	3.87	0.51	0.37	0.63
70LF-203-01	1/2"	0.50	1.43	2.87	1.75	3.87	0.63	0.50	0.71
70LF-204-01	3/4"	0.68	1.93	3.87	2.12	4.87	0.88	0.75	1.44
70LF-205-01	1"	0.87	2.25	4.50	2.25	4.87	1.13	0.90	1.91
70LF-206-01	1-1/4"	1.00	2.31	4.62	2.62	5.50	1.38	0.96	2.95
70LF-207-01	1-1/2"	1.25	2.62	5.25	3.06	8.00	1.63	1.09	3.99
70LF-208-01	2"	1.50	3.18	6.37	3.25	8.00	2.13	1.34	5.71
70LF-209-01	2-1/2"	2.00	3.74	7.51	3.72	8.00	2.63	1.48	15.53
70LF-200-01	3"	2.50	4.12	8.25	4.12	8.00	3.13	1.67	16.74
70LF-20A-01	4"	3.13	5.65	10.26	5.22	9.94	4.13	2.16	27.93

\* LEAD FREE: The wetted surfaces of this product shall contain no more than 0.25% lead by weighted average. Complies with CA AB1953, VT Act 193, MD HB372, LA HB471 and Federal Public Law 111-380. ANSI 3rd party approved and listed.



Apollo Valves, Manufactured by **Conbraco Industries, Inc.**  
701 Matthews Mint-Hill Road, Matthews, NC 28105 USA  
[www.apollovalves.com](http://www.apollovalves.com) | (704) 841-6000

This specification is provided for reference only. Conbraco Industries Inc. reserves the right to change any portion of this specification without notice and without incurring obligation to make such changes to Conbraco products previously or subsequently sold. Please visit our website @ [www.apollovalves.com](http://www.apollovalves.com) for the most current information.

