

"Apollo" Valves

# SUBMITTAL SHEET

## LEAD FREE

### 77BLF-100 Series

Full Port Bronze Ball Valve



<b>Job Name:</b>	
<b>Job Location:</b>	
<b>Engineer:</b>	
<b>Contractor:</b>	
<b>Tag:</b>	
<b>PO Number:</b>	
<b>Representative:</b>	
<b>Wholesale Distributor:</b>	



### DESCRIPTION

The Apollo® 77BLF Hydro Port Series featuring a solid ball design delivers real full-port performance with proven ASTM materials and 100% US manufacturing.

### FEATURES

- Multi-Fill PTFE Seats & Seals
- Blow-out Proof Stem Design
- Adjustable Stem Packing
- Full-Port "Solid Ball" Design
- 100% Factory Tested
- Hydro Port

### PERFORMANCE RATING

- Maximum Pressure: 400 psi CWP, 150 psi SWP
- Maximum Temperature: 500°F
- Vacuum service to 29 in. Hg

### APPROVALS

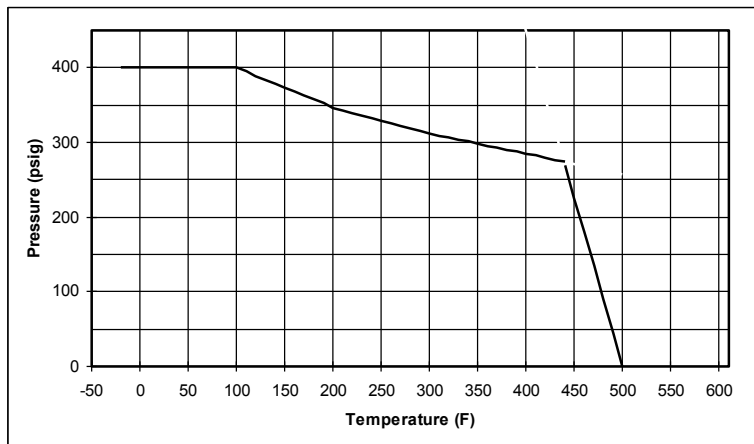
- MSS SP-110 Compliant
- NSF/ANSI 61 Section 8 Compliant (Pending)

### OPTIONS

- (-01) Standard
- (-83) SS T-Handle (3/4" - 1")
- (-84) Reverse SS Lever (1-1/4" - 2")
- (-85) Short SS T-Handle (1/2")
- (-91) Locking Tee (3/4" - 1")

### STANDARD MATERIALS LIST

Part Name	Material
Gland	ASTM B16 Brass
Nut	Stainless Steel
Packing	MPTFE
Seat	MPTFE
Stem*	ASTM B927, C27451
Ball*	ASTM B927, C27451 Chrome Plated
Retainer*	ASTM C89836, C27451 Bronze or ASTM B927, C27451
Body	ASTM C89836 Bronze
Handle	Zinc Plated Steel/Vinyl
*1/2" ASTM B371	



\* **LEAD FREE:** The wetted surfaces of this product shall contain no more than 0.25% lead by weighted average. Complies with CA AB1953, VT Act 193, MD HB372, LA HB471 and Federal Public Law 111-380. ANSI 3rd party approved and listed.

Apollo Valves, Manufactured by **Conbraco Industries, Inc.**  
 701 Matthews Mint-Hill Road, Matthews, NC 28105 USA  
[www.apollovalves.com](http://www.apollovalves.com) | (704) 841-6000

This specification is provided for reference only. Conbraco Industries Inc. reserves the right to change any portion of this specification without notice and without incurring obligation to make such changes to Conbraco products previously or subsequently sold. Please visit our website @ [www.apollovalves.com](http://www.apollovalves.com) for the most current information.



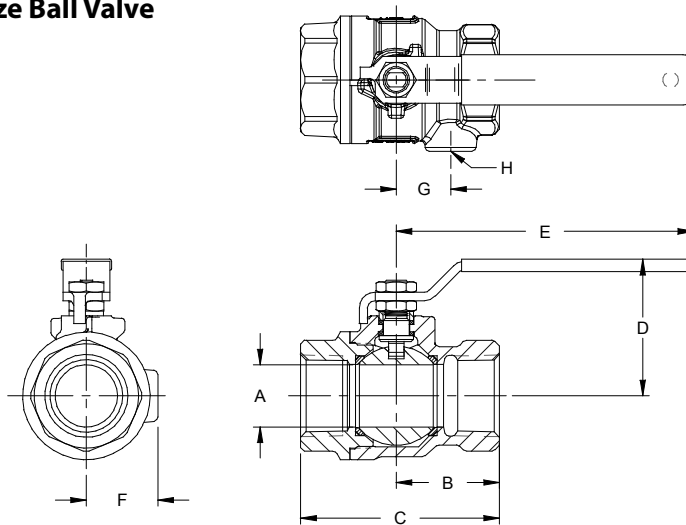
"Apollo" Valves

# SUBMITTAL SHEET

## LEAD FREE

### 77BLF-100 Series

Full Port **Bronze** Ball Valve



### DIMENSIONS

Part Number	Size (in.)	Dimensions (in.)								Cv	Wt.** (lbs.)	Carton Qty.
		A	B	C	D	E	F	G	H			
NPT												
77BLF-103-01	1/2"	0.50	1.29	2.44	1.79	3.74	0.85	0.70	FNPT	15.5	0.66	10
77BLF-104-01	3/4"	0.75	1.48	2.81	2.00	4.78	1.00	0.80	FNPT	35.6	1.19	10
77BLF-105-01	1"	1.00	1.66	3.20	2.19	4.78	1.15	0.88	FNPT	68.1	1.83	5
77BLF-106-01	1-1/4"	1.25	2.04	4.08	3.10	7.06	1.50	1.17	FNPT	125.0	4.38	6
77BLF-107-01	1-1/2"	1.50	2.12	4.23	3.09	7.06	1.60	1.38	FNPT	177.0	5.85	6
77BLF-108-01	2"	2.00	2.42	4.85	3.45	7.06	2.00	1.56	FNPT	389.0	11.43	5

\*\* Weights based on Standard Configuration

\* LEAD FREE: The wetted surfaces of this product shall contain no more than 0.25% lead by weighted average. Complies with CA AB1953, VT Act 193, MD HB372, LA HB471 and Federal Public Law 111-380. ANSI 3rd party approved and listed.

Apollo Valves, Manufactured by **Conbraco Industries, Inc.**  
 701 Matthews Mint-Hill Road, Matthews, NC 28105 USA  
[www.apollovalves.com](http://www.apollovalves.com) | (704) 841-6000

This specification is provided for reference only. Conbraco Industries Inc. reserves the right to change any portion of this specification without notice and without incurring obligation to make such changes to Conbraco products previously or subsequently sold. Please visit our website @ [www.apollovalves.com](http://www.apollovalves.com) for the most current information.

