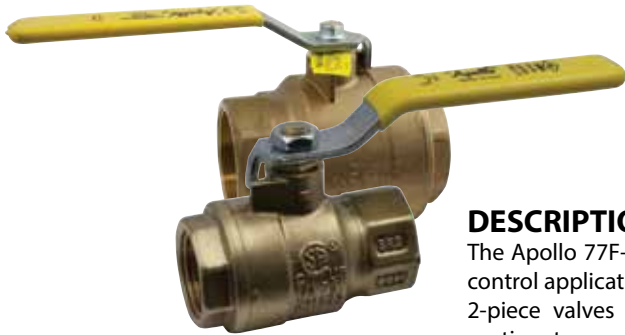


'Apollo' Valves

SUBMITTAL SHEET

77F-100 Series

Full Port Threaded Brass Ball Valve



Job Name:	
Job Location:	
Engineer:	
Contractor:	
Tag:	
PO Number:	
Representative:	
Wholesale Distributor:	



DESCRIPTION

The Apollo 77F-100 Series is a full port forged brass ball valve suitable for a wide range of flow control applications including HVAC, fuel gas, fire protection, irrigation etc. These NPT threaded, 2-piece valves combine reliable operation with maximum economy. Valves include most pertinent agency approvals. Proudly Made in the USA.

FEATURES

- Heavy Pattern Forged Design
- Corrosion Resistant Materials
- Full-Port Flow
- Premium RPTFE Seats and Packing
- Adjustable Stem Packing
- Blow-Out Proof Stem
- Silicone Free Assembly
- 100% Factory Tested
- **Made in USA**, ARRA Compliant

PERFORMANCE RATING

- Rating: 600 CWP (1/4" – 2")
- Rating: 400 CWP (2-1/2" – 4")
- Steam Rating: 150 psi SWP
- Temperature Range: 0°F - 400°F

STANDARD MATERIALS LIST

Part Name	Material
Body	Brass, ASTM B283 alloy C37700
Seat	RPTFE
Ball	Brass, ASTM B16, C36000, or B283, C37700 Chrome Plated
Stem Packing	RPTFE
Nut	Corrosion Resistant Plated Steel
Stem	Brass, ASTM B16, C36000
Retainer	Brass, ASTM B283 alloy C37700 or ASTM B16, C3600
Handle	Plated Steel / Insulated Polyvinyl
Gland	Brass, ASTM B16, C36000

APPROVALS

- MSS-SP-110
- IAPMO IGC-157 Ball Valves
- NSF/ANSI 61 Section 8 (1/4"–3")
- CGA 3.16 (125 PSI)
- CGA CR91-002 (5 PSI)
- ANSI Z21.15/CSA 9.1 (1/2 PSI)
- ASME B16.44 (5 PSI)
- ASME B16.33 (125 PSI) (1/2" – 2")
- FM 1140 (1/4" – 2")
- UL Guides: YSDT, MHKZ, YQNZ, YRBX & YRPV
- UL Guide VQGU (1/4" – 2")

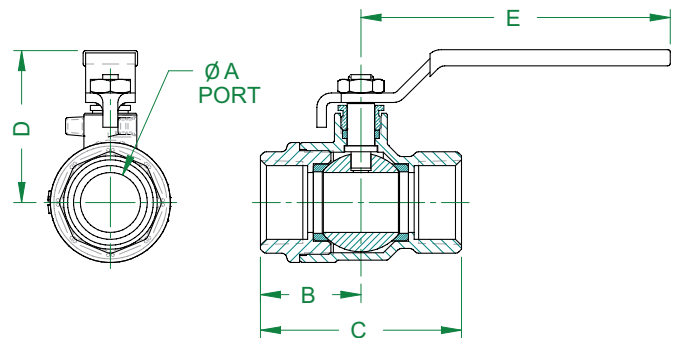
OPTIONS

- (-01) Standard Lever
- (-04) 2-1/4" Stem Extension (1/4" – 2")
- (-07) Tee Handle (1/4" – 2")
- (-11) Therma-Seal™ Insulating Tee Handle (1/4" – 2")
- (-27) Locking Handle SS (1/4" – 2")
- 77F140 Series – SS Ball & Stem
- 77FLF Series – Lead Free 0.25% max



DIMENSIONS

Part Number	Size (in.)	Dimensions (in.)					Wt. (lbs.)
		A	B	C	D	E	
77F-101-01	1/4"	0.38	0.81	1.62	1.61	2.85	0.3
77F-102-01	3/8"	0.38	0.85	1.70	1.61	2.85	0.3
77F-103-01	1/2"	0.50	1.14	2.25	1.66	2.85	0.5
77F-104-01	3/4"	0.75	1.26	2.51	1.91	3.86	0.8
77F-105-01	1"	1.00	1.60	3.20	2.11	3.86	1.3
77F-106-01	1-1/4"	1.25	1.73	3.46	2.44	4.75	2.1
77F-107-01	1-1/2"	1.50	2.00	4.00	2.91	5.42	3.2
77F-108-01	2"	2.00	2.37	4.47	3.69	7.77	5.6
77F-109-01	2-1/2"	2.50	2.99	5.98	4.14	7.77	12.8
77F-100-01	3"	3.00	3.52	7.05	5.03	9.92	19.7
77F-10A-01	4"	4.00	3.83	7.65	5.70	14.78	25.5



Apollo Valves, Manufactured by **Conbraco Industries, Inc.**
 701 Matthews Mint-Hill Road, Matthews, NC 28105 USA
www.apollovalves.com | (704) 841-6000

This specification is provided for reference only. Conbraco Industries Inc. reserves the right to change any portion of this specification without notice and without incurring obligation to make such changes to Conbraco products previously or subsequently sold. Please visit our website @ www.apollovalves.com for the most current information.

