

'Apollo' Valves

SUBMITTAL SHEET

77F-200 Series

Full Port Solder End Brass Ball Valve



Job Name:	
Job Location:	
Engineer:	
Contractor:	
Tag:	
PO Number:	
Representative:	
Wholesale Distributor:	



DESCRIPTION

The Apollo 77F-200 series is a full port forged brass ball valve suitable for a wide range of plumbing and heating applications. This valve is designed to be soft soldered into lines without disassembly. Proudly Made in the USA.

FEATURES

- Heavy Pattern Forged Design
- Full-Port Flow
- Superior RPTFE Seats and Packing
- Adjustable Stem Packing
- Blow-Out Proof Stem
- Corrosion Resistant Materials
- 100% Factory Tested
- Silicone Free Assembly
- Made in USA, ARRA Compliant

PERFORMANCE RATING

- Valve Design Rating: 600 CWP
- Temperature Range: 0°F - 400°F

APPROVALS

- MSS SP-110 Ball Valves
- IAPMO IGC-157 Ball Valves (1/2"-4")
- NSF/ANSI 61 Section 8 (Except 4" Brass Ball & Stem)
- FM 1140 (1/2"-2")

OPTIONS

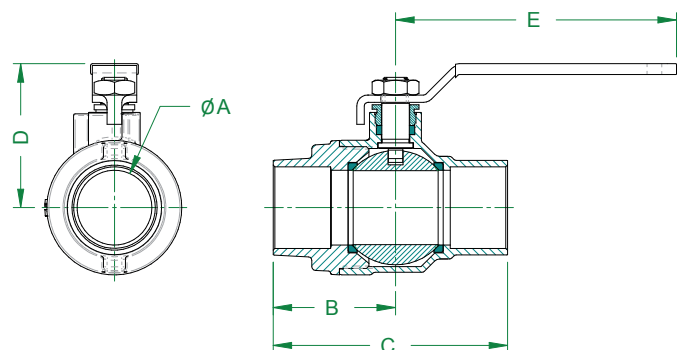
- (-01) Standard Lever
- (-04) 2 1/4" Stem Extension (1/2"-2")
- (-07) Tee Handle (1/2"-2")
- (-11) Thermo-Seal™ Insulating Tee Handle (1/2"-2")
- (-27) Locking Handle (1/2"-2")
- 77F240 Series – SS Ball & Stem
- 77FLF Series – Lead Free 0.25% max

STANDARD MATERIALS LIST

Part Name	Material
Body	Brass, ASTM B283 alloy C37700
Seat	RPTFE
Ball	Brass, ASTM B16, C36000 or B283, C37700 Chrome Plated
Stem Packing	RPTFE
Nut	Corrosion Resistant Plated Steel
Stem	Brass, ASTM B16, C36000
Retainer	Brass, ASTM B283 alloy C37700 or B16, C36000
Handle	Plated Steel / Insulated Polyvinyl
Gland	Brass, ASTM B16, C36000

DIMENSIONS

Model Number	Size (in.)	Dimensions (in.)					Wt. (lbs.)
		A	B	C	D	E	
77F-203-01	1/2"	0.50	1.37	2.37	1.66	2.85	0.4
77F-204-01	3/4"	0.75	1.72	3.13	1.91	3.86	0.9
77F-205-01	1"	1.00	2.01	3.73	2.11	3.86	1.3
77F-206-01	1-1/4"	1.25	2.07	3.97	2.44	4.75	2.0
77F-207-01	1-1/2"	1.50	2.42	4.69	2.91	5.42	3.3
77F-208-01	2"	2.00	2.91	5.82	3.69	7.77	5.6
77F-209-01	2-1/2"	2.50	3.68	7.05	4.14	7.77	11.6
77F-200-01	3"	3.00	4.26	8.15	5.03	9.92	19.3
77F-20A-01	4"	4.00	4.82	9.57	5.70	14.78	25.6



Apollo Valves, Manufactured by **Conbraco Industries, Inc.**
 701 Matthews Mint-Hill Road, Matthews, NC 28105 USA
www.apollovalves.com | (704) 841-6000

This specification is provided for reference only. Conbraco Industries Inc. reserves the right to change any portion of this specification without notice and without incurring obligation to make such changes to Conbraco products previously or subsequently sold. Please visit our website @ www.apollovalves.com for the most current information.

