

'Apollo' Valves

SUBMITTAL SHEET

LEAD FREE

77FLF-100 Series

Full Port Threaded Brass Ball Valve



Job Name:	
Job Location:	
Engineer:	
Contractor:	
Tag:	
PO Number:	
Representative:	
Wholesale Distributor:	



DESCRIPTION

The Apollo 77FLF-100 Series is a Lead Free*, full port forged brass ball valve suitable for a wide range of plumbing and heating applications, including potable water. These NPT threaded, 2-piece valves combine reliable operation with maximum economy. Valves include most pertinent agency approvals. Proudly Made in the USA.

FEATURES

- Lead Free* Materials and Approvals
- Heavy Pattern Forged Design
- Full-Port Flow
- Superior RPTFE Seats and Packing
- Adjustable Stem Packing
- Blow-Out Proof Stem
- Dezincification Resistant Materials
- 100% Factory Tested
- Silicone Free Assembly
- **Made in USA**, ARRA Compliant

OPTIONS

- (-01) Standard Lever
- (-04) 2-1/4" Stem Extension (1/4" – 2")
- (-07) Tee Handle (1/4" – 2")
- (-11) Therma-Seal™ Insulating Tee Handle (1/4" – 2")
- (-27) Locking Handle SS (1/4" – 2")
- 77FLF140 Series – SS Ball & Stem

PERFORMANCE RATING

- Rating: 600 CWP (1/4" – 2")
- Rating: 400 CWP (2-1/2" – 4")
- Steam Rating: 150 psi SWP
- Temperature Range: 0°F - 400°F

APPROVALS

- MSS-SP-110 Ball Valves
- IAPMO IGC-157 Ball Valves
- CGA 3.16 (125 PSI)
- CGA CR91-002 (5 PSI)
- ANSI Z21.15/CSA 9.1 (1/2 PSI)
- ASME B16.44 (5 PSI)
- ASME B16.33 (125 PSI) (1/2" – 2")
- FM 1140 (1/4" – 2")
- UL Guides: YSDT, MHKZ, YQNZ, YRBX, YRPV
- UL Guide VQGU (1/4" – 2")
- NSF/ANSI 61 Section 8, Annex G
- NSF/ANSI 372

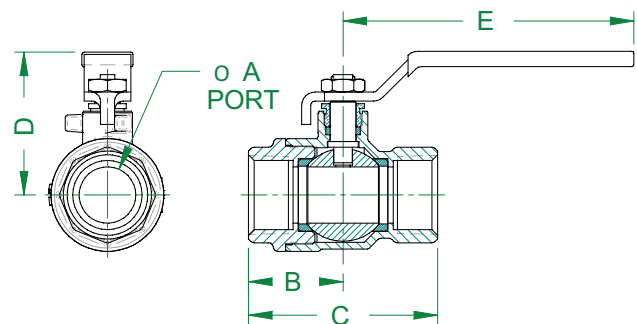
STANDARD MATERIALS LIST

Part Name	Material
Body	Lead Free Brass, C27451
Seat	RPTFE
Ball	Lead Free Brass, C27451, Chrome Plated (4" is SS)
Stem Packing	RPTFE
Nut	Corrosion Resistant Plated Steel
Stem	Lead Free Brass, C27451
Retainer	Lead Free Brass, C27451
Handle	Plated Steel / Insulated Polyvinyl
Gland	Brass, ASTM B16, C36000



DIMENSIONS

Part Number	Size (in.)	Dimensions (in.)					Wt. (lbs.)
		A	B	C	D	E	
77FLF-101-01	1/4"	0.38	0.81	1.62	1.61	2.85	0.3
77FLF-102-01	3/8"	0.38	0.85	1.70	1.61	2.85	0.3
77FLF-103-01	1/2"	0.50	1.14	2.25	1.66	2.85	0.5
77FLF-104-01	3/4"	0.75	1.26	2.51	1.91	3.86	0.8
77FLF-105-01	1"	1.00	1.60	3.20	2.11	3.86	1.3
77FLF-106-01	1-1/4"	1.25	1.73	3.46	2.44	4.75	2.1
77FLF-107-01	1-1/2"	1.50	2.00	4.00	2.91	5.42	3.2
77FLF-108-01	2"	2.00	2.37	4.74	3.69	7.77	5.6
77FLF-109-01	2-1/2"	2.50	2.99	5.98	4.14	7.77	12.8
77FLF-100-01	3"	3.00	3.52	7.05	5.03	9.92	19.7
77FLF-14A-01	4"	4.00	3.83	7.65	5.70	14.78	25.5



Apollo Valves, Manufactured by **Conbraco Industries, Inc.**
 701 Matthews Mint-Hill Road, Matthews, NC 28105 USA
www.apollovalves.com | (704) 841-6000

* LEAD FREE: The wetted surfaces of this product shall contain no more than 0.25% lead by weighted average. Complies with Federal Public Law 111-380. ANSI 3rd party approved and listed.

This specification is provided for reference only. Conbraco Industries Inc. reserves the right to change any portion of this specification without notice and without incurring obligation to make such changes to Conbraco products previously or subsequently sold. Please visit our website @ www.apollovalves.com for the most current information.

