

"Apollo" Valves

SUBMITTAL SHEET

77W-HC Series

Ball Valve with Press x Hose Connection

APOLLOXPRESS®



Job Name:	
Job Location:	
Engineer:	
Contractor:	
Tag:	
PO Number:	
Representative:	
Wholesale Distributor:	



DESCRIPTION

The APOLLOXPRESS® 77W-HC Press x Hose ball valve is designed for direct mechanical connection to ASTM B88-Type K, L, and M copper tubing in the hard drawn condition for sizes 1/2" - 3/4". Valves feature a 3/4" hose connection with heavy brass cap to protect the threads. The 77W-HC is ideal for most plumbing and heating systems, including potable water. Now with Leak Before Press® feature and 250 psig maximum working pressure.

FEATURES

- Full-Port
- Ridgid® "XL" Press Tool Compatible
- Adjustable Stem Packing
- Fast, Reliable, Economical Press Installation
- Leak Before Press® Technology
- Dezincification Resistant Bronze Body
- Heavy duty brass cap is full pressure rated
- 100% Factory Tested
- Made in USA, ARRA Compliant

PERFORMANCE RATING†

- Maximum Operating Pressure: 250 psi
- Maximum Temperature: 250°F

†APOLLOXPRESS® connectors are designed for direct mechanical connection to ASTM B88-Type K, L, and M copper tubing in the hard drawn condition. Press connectors are not suitable for steam or flammable gas service.

APPROVALS

- MSS SP-110 Ball Valves
- Directive 2011/65/CE (RoHS)

APPROVED APPLICATIONS

- Water
- Hydronic Heating (50% glycol max)
- Not compatible with soft annealed copper tubing

Not intended for potable water

OPTIONS

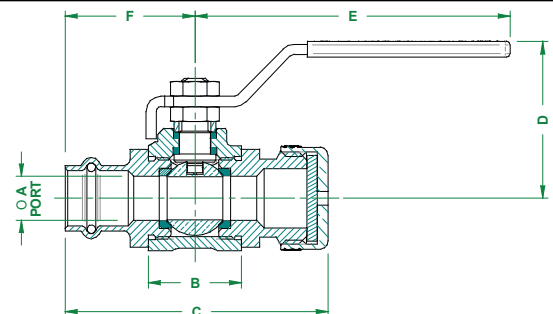
- (-04) 2 1/4" Stem Extension
- (-07) Tee-Handle
- (-10) Stainless Steel Handle and Nut
- (-11) Therma-Seal™ Insulating Tee Handle
- (-92) Balancing Stop
- (-94) 2 1/4" Stem Extension and Balancing Stop
- (77WLF-140-HC SERIES) S.S. Ball and Stem
- (77WLF-HC SERIES) Lead Free 0.25% Lead Max
- (77W-HC-PR-LF) Lead Free APOLLOXPRESS®

STANDARD MATERIALS LIST

Part Name	Material
Body	ASTM B584 C89836 Bronze
Seat	Multi-Fill PTFE
Ball	ASTMB16Brass,plated
Stem Packing	Multi-Fill PTFE
Nut	Corrosion Resistant Plated Steel
Stem	Brass, ASTM B16, UNS# C36000
Retainer	Brass, ASTM B16, UNS# C36000
Cap	Brass, ASTM B16, UNS# C36000
Handle	Plated Steel/Insulated Polyvinyl
Gland	Brass, ASTM B16, UNS# C36000
O-Ring	EPDM

DIMENSIONS

Part Number	Size (in.)	Dimensions (in.)						Wt. (lbs.)
		A	B	C	D	E	F	
77W-103-HC	1/2"	0.50	1.54	3.12	1.80	3.74	1.54	0.61
77W-104-HC	3/4"	0.75	1.72	3.45	2.01	4.78	1.78	1.16



Apollo Valves, Manufactured by **Conbraco Industries, Inc.**
 701 Matthews Mint-Hill Road, Matthews, NC 28105 USA
www.apollovalves.com | (704) 841-6000

This specification is provided for reference only. Conbraco Industries Inc. reserves the right to change any portion of this specification without notice and without incurring obligation to make such changes to Conbraco products previously or subsequently sold. Please visit our website @ www.apollovalves.com for the most current information.

