

'Apollo' Valves

SUBMITTAL SHEET

LEAD FREE

82LF-100 Series

3-Piece Full Port Threaded Bronze Ball Valve



Job Name:	
Job Location:	
Engineer:	
Contractor:	
Tag:	
PO Number:	
Representative:	
Wholesale Distributor:	



DESCRIPTION

The Apollo® 82LF100 Series offers the same rugged features as the standard 82 Series with the added advantage of Lead Free* materials. Designed to provide long service life and ease of in-line maintenance. SAE grade body bolts are standard. These valves are cast and machined in Apollo's South Carolina manufacturing plants.

FEATURES

- Lead Free* Brass & Bronze Materials
- NSF/ANSI 61-G and NSF 372
- Easily Identifiable White Handle Grip and Blue "Lead Free" Hang Tag
- Premium RPTFE Seats and MPTFE Seals
- Full Port Ball Configuration in all sizes
- Made in USA, ARRA Compliant

PERFORMANCE RATING

- Maximum Pressure: 600 psi CWP, 150 psi SWP
- Maximum Temperature: 400°F
- Vacuum Service to 29 in. Hg

MODELS

- 82LF100 Series – Standard materials and lever
- 82LF140 Series – 316 SS Vented Ball & Stem

APPROVALS

- MSS SP-110; Ball Valves, Threaded, Socket-Welding, Solder Joint
- CSA B51 CRN: 0C10908.5C
- NSF /ANSI 61-8, Annex G
- NSF/ANSI 372 Lead Free

OPTIONS

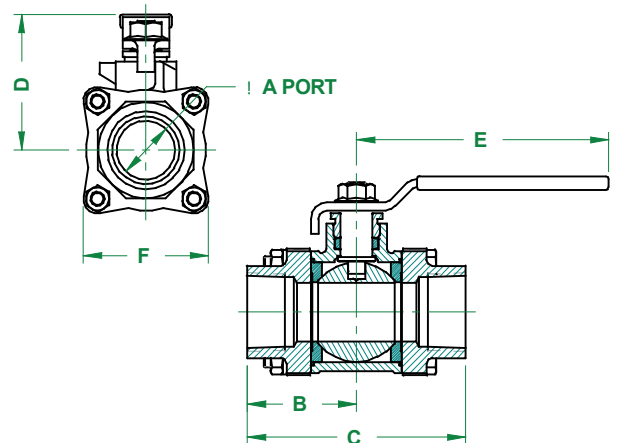
See page 2.

STANDARD MATERIALS LIST

Part Name	Material
Lever and Grip	Steel, Zinc Plated w/ Vinyl
Stem Packing	MPTFE
Stem Bearing	RPTFE
Ball	C27451 Lead Free* Brass, Chrm Plt
Seat (2)	RPTFE
End Cap (2)	C27451 Lead Free* Brass (1/4" and 3/8")
	C89836 Lead Free* Bronze (1/2" to 2 1/2")
Gland Nut	ASTM B16 (Brass)
Stem	C27451 Lead Free* Brass
Lever Nut	Steel, Zinc Plated
Body Bolt	Steel, Zinc Plated
Hex Nut	Steel, Zinc Plated
Body	ASTM B584-C89836 (Bronze)

DIMENSIONS

Part Number	Size (in.)	Dimensions (in.)						Wt. (lbs.)
		A	B	C	D	E	F	
82LF-101-01	1/4"	0.43	1.28	2.56	1.81	3.87	1.60	1.0
82LF-102-01	3/8"	0.50	1.28	2.56	1.81	3.87	1.60	1.0
82LF-103-01	1/2"	0.62	1.40	2.81	1.93	4.87	1.78	1.6
82LF-104-01	3/4"	0.81	1.71	3.43	2.18	4.87	1.98	2.3
82LF-105-01	1"	1.00	1.93	3.87	2.62	5.50	2.22	3.3
8FLF-106-01	1-1/4"	1.25	2.37	4.75	2.87	5.50	2.70	5.6
82LF-107-01	1-1/2"	1.50	2.62	5.25	3.37	8.00	3.03	8.1
82LF-108-01	2"	2.00	3.01	6.03	3.68	8.00	3.87	14.4
82LF-109-01	2-1/2"	2.50	3.62	7.25	5.14	9.75	5.05	26.6



* LEAD FREE: The wetted surfaces of this product shall contain no more than 0.25% lead by weighted average. Complies with CA AB1953, VT Act 193, MD HB372, LA HB471 and Federal Public Law 111-380. ANSI 3rd party approved and listed.

Apollo Valves, Manufactured by **Conbraco Industries, Inc.**
701 Matthews Mint-Hill Road, Matthews, NC 28105 USA
www.apollovalves.com | (704) 841-6000

This specification is provided for reference only. Conbraco Industries Inc. reserves the right to change any portion of this specification without notice and without incurring obligation to make such changes to Conbraco products previously or subsequently sold. Please visit our website @ www.apollovalves.com for the most current information.



"Apollo" Valves

SUBMITTAL SHEET

LEAD FREE

82LF-100 Series

3-Piece Full Port Threaded Bronze **Ball Valve**

OPTIONS & SIZES*

• (-01) Lever Handle (Standard)	1/4" - 2 1/2"
• (-02) Stem Grounded	1/4" - 2 1/2"
• (-04) 2 1/4" CS Stem Extension	1/4" - 2"
• (-07) Steel Tee Handle	1/4" - 2"
• (-08) 90° Reversed Stem	1/4" - 2 1/2"
• (-10) SS Lever & Nut	1/4" - 2 1/2"
• (-11) Therma-Seal® 2 1/4" Tee Handle	1/4" - 2"
• (-14) Side Vented Ball (Uni-Directional)	1/4" - 2 1/2"
• (-15) Wheel Handle, Steel	1/4" - 2"
• (-16) Chain Lever-Vertical	1/2" - 2"
• (-18) Plain Yellow Grip	1/4" - 2"
• (-19) Lock Plate*	1/4" - 2"
• (-20) Slot Vented Ball*	1/4" - 2 1/2"
• (-27) SS Latch-Lock Lever & Nut	1/2" - 2"
• (-30) Cam-Lock & Grounded	1/4" - 1 1/4"
• (-32) SS Tee Handle & Nut	1/4" - 2"
• (-39) SS Hi-Rise Locking Wheel Handle & Nut	1/4" - 1 1/4"
• (-40) Cyl-Loc & Grounded	1/4" - 1/2"
• (-45) Less Lever & Nut	1/4" - 2 1/2"
• (-46) Latch Lock Lever-Lock Closed Position Only	1/2" - 2"
• (-47) SS Oval Latch-Lock Handle & Nut	1/4" - 3/4"
• (-48) SS Oval Handle (No Latch) & Nut	1/4" - 2"
• (-49) Assembled Dry	1/4" - 2 1/2"
• (-50) 2-1/4" CS Locking Stem Extension	1/4" - 2"
• (-57) Oxygen Cleaned	1/4" - 2 1/2"
• (-58) Chain Lever-Horizontal	3/4" - 2"
• (-59) SS External Trim	3/4" - 2 1/2"
• (-60) Static Grounded Ball & Stem	1/4" - 2 1/2"
• (-62) Body center section only	1/4" - 2 1/2"
• (-63) NPT x Solder	1/2" - 2 1/2"
• (-92) Balancing Stop	1/4" - 2"
• (-94) -04 Option & Balancing Stop	1/4" - 2"
• (-P01) BSPP (Parallel) Thread Connection	1/4" - 2 1/2"
• (-T01) BSPT (Tapered) Thread Connection	1/4" - 2 1/2"

* Note: Some options for lead free valves may be subject to availability and minimum order requirements. Please consult the factory for details.

Apollo Valves, Manufactured by **Conbraco Industries, Inc.**
701 Matthews Mint-Hill Road, Matthews, NC 28105 USA
www.apollovalves.com | (704) 841-6000

This specification is provided for reference only. Conbraco Industries Inc. reserves the right to change any portion of this specification without notice and without incurring obligation to make such changes to Conbraco products previously or subsequently sold. Please visit our website @ www.apollovalves.com for the most current information.

