

"Apollo" Valves

SUBMITTAL SHEET

LEAD FREE

82LF-200 Series

3-Piece Full Port, Solder End Bronze Ball Valve



Job Name:	
Job Location:	
Engineer:	
Contractor:	
Tag:	
PO Number:	
Representative:	
Wholesale Distributor:	



DESCRIPTION

The Apollo® 82LF Solder Series offers the same rugged features as the Standard 82 Series with the added advantage of Lead Free* materials. Ideal for solder installations where ease of maintenance and in-line serviceability are required. SAE Grade Body Bolts are Standard.

FEATURES

- EZ-Solder Lead Free* Bronze Materials
- Easily Identifiable White Handle Grip and Blue "Lead Free" Hang Tag
- Premium RPTFE Seats and MPTFE Seals
- Full Port Ball Configuration in all sizes
- **Made in USA – ARRA Compliant**

PERFORMANCE RATING

- CWP: 600 psi (41.37 Bar) at 100°F
- Maximum Temperature: 400°F
- Vacuum Service to 29 in. Hg

MODELS

- 82LF200 Series Standard
- 82LF240 Series 316 SS Vented Ball & Stem

APPROVALS

- MSS SP-110; Ball Valves, Threaded, Socket-Weld, Solder Joint
- CSA B51 CRN: OC10908.5C
- ANSI/NSF 61-8, Annex G
- NSF 372 Lead Free* ANSI 3RD Party Certified

OPTIONS & SIZES

- (-01) Lever Handle (Standard) 1/2" - 2 1/2"
- (-02) Stem Grounded 1/2" - 2 1/2"
- (-04) 2 1/4" CS Stem Extension 1/2" - 2"
- (-07) Steel Tee Handle 1/2" - 2"
- (-08) 90° Reversed Stem 1/2" - 2"
- (-10) SS Lever & Nut 1/2" - 2 1/2"
- (-11) Therma-Seal® 2 1/4" Tee Handle 1/2" - 2"
- (-14) Side Vented Ball (Uni-Directional) 1/2" - 2 1/2"
- (-15) Wheel Handle, Steel 1/2" - 2"
- (-16) Chain Lever-Vertical 1/2" - 2"
- (-19) Lock Plate 1/2" - 2"
- (-20) Slot Vented Ball 1/2" - 2 1/2"
- (-27) SS Latch-Lock Lever & Nut 1/2" - 2"
- (-30) Cam-Lock & Grounded 1/2" - 1 1/4"
- (-32) SS Tee Handle & Nut 1/2" - 2"
- (-39) SS Hi-Rise Locking Wheel Handle & Nut 1/2" - 1 1/4"
- (-40) Cyl-Loc & Grounded 1/2" - 2"
- (-45) Less Lever & Nut 1/2" - 2 1/2"
- (-46) Latch Lock Lever-Lock Closed Position Only 1/2" - 2"
- (-47) SS Oval Latch-Lock Handle & Nut 1/2" - 3/4"
- (-48) SS Oval Handle (No Latch) & Nut 1/2" - 2"
- (-49) Assembled Dry 1/2" - 2 1/2"
- (-50) 2-1/4" CS Locking Stem Extension 1/2" - 2"
- (-57) Oxygen Cleaned 1/2" - 2 1/2"
- (-58) Chain Lever-Horizontal 3/4" - 2"
- (-59) SS External Trim 3/4" - 2 1/2"
- (-60) Static Grounded Ball & Stem 3/4" - 2 1/2"
- (-62) Body center section only (82LF-100 option) 1/2" - 2 1/2"
- (-63) NPT x Solder (82LF-100 option) 1/2" - 2 1/2"
- (-92) Balancing Stop 1/2" - 2"
- (-94) -04 Option & Balancing Stop 1/2" - 2"

** Note: some options for lead free valves may be subject to availability and minimum order requirements. Please consult the factory for details.*

STANDARD MATERIALS LIST

Part Name	Material
Lever and Grip	Steel, Zinc Plated w/ Vinyl
Stem Packing	MPTFE
Stem Bearing	RPTFE
Ball	C27451 Lead Free* Brass, Chrome Plated RPTFE
Seat (2)	RPTFE
End Cap (2)	C89836 Lead Free* Bronze
Stem	C27451 Lead Free* Brass
Lever Nut	Steel, Zinc Plated
Body Bolt	Steel, Zinc Plated
Hex Nut	Steel, Zinc Plated
Body	ASTM B584-C89836 Lead Free Bronze

* LEAD FREE: The wetted surfaces of this product shall contain no more than 0.25% lead by weighted average. Complies with CA AB1953, VT Act 193, MD HB372, LA HB471 and Federal Public Law 111-380. ANSI 3rd party approved and listed.

Apollo Valves, Manufactured by **Conbraco Industries, Inc.**
701 Matthews Mint-Hill Road, Matthews, NC 28105 USA
www.apollovalves.com | (704) 841-6000

This specification is provided for reference only. Conbraco Industries Inc. reserves the right to change any portion of this specification without notice and without incurring obligation to make such changes to Conbraco products previously or subsequently sold. Please visit our website @ www.apollovalves.com for the most current information.



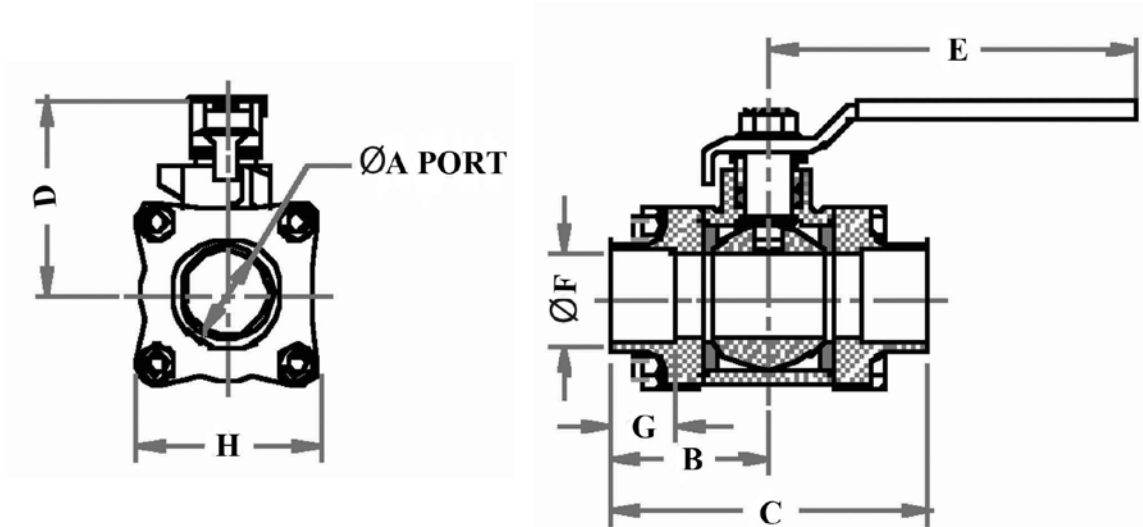
"Apollo" Valves

SUBMITTAL SHEET

LEAD FREE

82LF-200 Series

3-Piece Full Port, Solder End Bronze Ball Valve



DIMENSIONS

Model Number	Size (in.)	Dimensions (in.)								Wt. (lbs.)
		A	B	C	D	E	F	G	H	
82LF-202-01	3/8	0.50	1.28	2.56	1.81	3.87	0.50	0.37		
82LF-203-01	1/2	0.62	1.40	2.81	1.93	4.87	0.63	0.50	1.78	1.7
82LF-204-01	3/4	0.81	1.71	3.43	2.18	4.87	0.88	0.75	1.98	2.3
82LF-205-01	1	1.00	1.93	3.87	2.62	5.50	1.13	0.90	2.22	3.3
82LF-206-01	1-1/4	1.25	2.37	4.75	2.87	5.50	1.38	0.96	2.70	5.6
82LF-207-01	1-1/2	1.50	2.60	5.25	3.37	8.00	1.63	1.09	3.03	8.1
82LF-208-01	2	2.00	3.01	6.03	3.68	8.00	2.13	1.34	3.87	14.4
82LF-209-01	2-1/2	2.50	3.62	7.25	5.14	9.38	2.63	1.47	5.05	26.6

Apollo Valves, Manufactured by **Conbraco Industries, Inc.**
 701 Matthews Mint-Hill Road, Matthews, NC 28105 USA
www.apollovalves.com | (704) 841-6000

This specification is provided for reference only. Conbraco Industries Inc. reserves the right to change any portion of this specification without notice and without incurring obligation to make such changes to Conbraco products previously or subsequently sold. Please visit our website @ www.apollovalves.com for the most current information.

