

"Apollo"[®]
INTERNATIONAL

SUBMITTAL SHEET

910F Series

Class 125 Swing Check Valve



Job Name:	
Job Location:	
Engineer:	
Contractor:	
Tag:	
PO Number:	
Representative:	
Wholesale Distributor:	

DESCRIPTION

The **Apollo International™** Model 910F Flanged Cast Iron Swing Check valve provides full flow capabilities. It provides reliable and economical protection against reverse flow. The Model 910F Swing Check valve can reliably be installed in most plumbing and heating systems (or building service piping).

FEATURES

- Compatible with ANSI 125# & 150# Flanges
- Full Port
- Minimal Pressure Drop
- Flanged Connection
- Bolted Bonnet
- Integral Bronze Seat

STANDARDS

- MSS SP-71, "Gray Iron Swing Check Valves Flanged and Threaded"
- ASME B16.10, "Face-to-Face and End-to-End Dimensions of Valves"

PERFORMANCE RATING

- Saturated Steam:
125 psi (8.6 Bar) to 353°F(178°C) (2"-12")
100 psi (6.9 Bar) to 338°F(170°C) (14"-20")
- Cold Working Pressure:
200 psi (13.8 Bar) at 100°F (2"-12")
150 psi (10.3 Bar) at 100°F (14"-20")
- Temperature Range*:
-20°F to 406°F

* Valves should be in open position to allow complete drainage during freezing conditions.

STANDARD MATERIALS LIST

Part Name	Material
Bolts	Steel (ASTM A307 B)
Nameplate	Aluminum
Bonnet	Cast Iron (ASTM A126 CL B)
Body Gasket	Graphite
Nuts	Steel (ASTM A307 B)
Side Plug	Brass (ASTM B16)
Gasket	Graphite
Hanger Pin	Brass (ASTM B16)
Hanger	Ductile Iron (ASTM A536 65-45-12)
Disc Ring	Cast Bronze (2"-6") Cast Iron (8"-20")
Disc	Cast Iron (ASTM A126 CL B)
Washer	Steel (ASTM A307 B)
Split Pin	Stainless Steel (ASTM 420 S42000)
Seat Ring	Cast Bronze (2"-6") Cast Iron (8"-20")
Body	Cast Iron (ASTM A126 CL B)
Disc Nut	Steel (ASTM A307 B)
Stud Bolt	Steel (ASTM A307 B)

ORDER INFORMATION

Size (in.)	Part Number
2"	6SC108B1
2-1/2"	6SC109B1
3"	6SC100B1
4"	6SC10AB1
5"	6SC10BB1
6"	6SC10CB1
8"	6SC10E01
10"	6SC10G01
12"	6SC10H01
14"	6SC10J01
16"	6SC10K01
18"	6SC10M01
20"	6SC10N01

Apollo Valves / **Conbraco Industries, Inc.**
701 Matthews Mint-Hill Road, Matthews, NC 28105 USA
www.apollovalves.com | (704) 841-6000

This specification is provided for reference only. Conbraco Industries Inc. reserves the right to change any portion of this specification without notice and without incurring obligation to make such changes to Conbraco products previously or subsequently sold. Please visit our website @ www.apollovalves.com for the most current information.

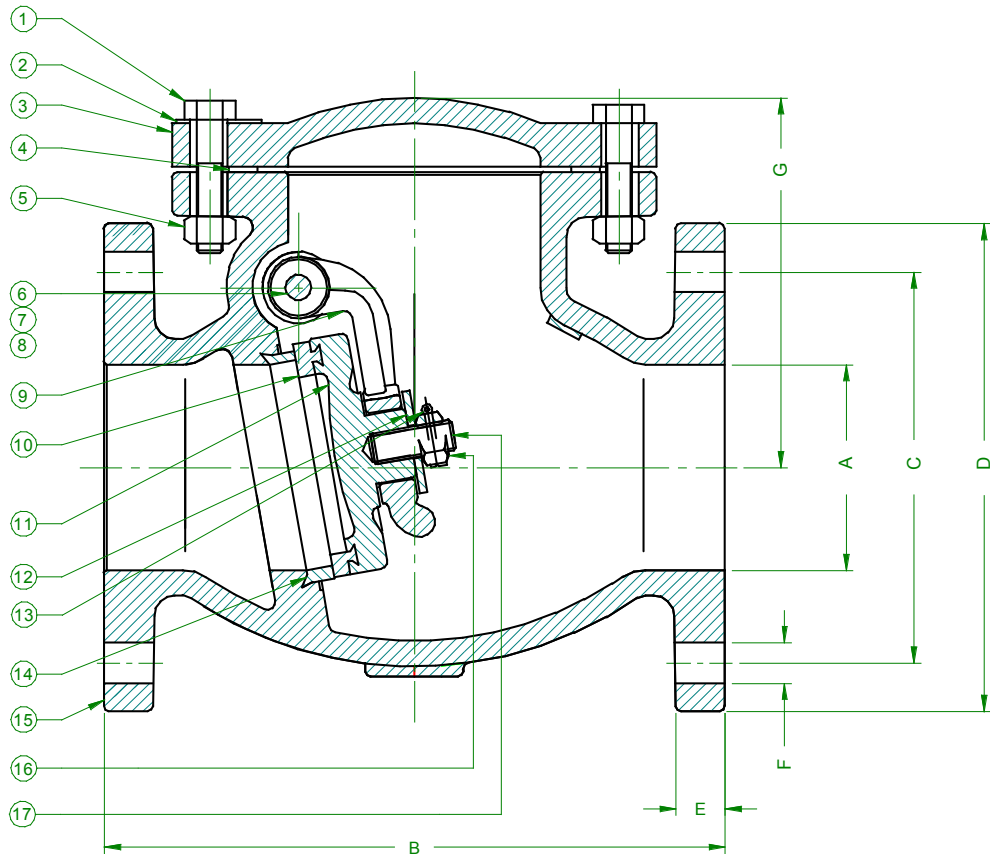


"Apollo"[®] INTERNATIONAL

SUBMITTAL SHEET

910F Series

Class 125 Swing Check Valve



Size (in.)	Dimensions (in.)							Wt. (lbs.)	Cv (Typ)
	A	B	C	D	E	F	G		
2"	2.00	8.00	4.75	6.00	0.62	0.75	4.41	26	132
2.5"	2.50	8.50	5.50	7.00	0.69	0.75	5.24	39	192
3"	3.00	9.50	6.00	7.50	0.75	0.75	5.67	47	298
4"	4.00	11.50	7.50	9.00	0.94	0.75	6.61	82	526
5"	5.00	13.00	8.50	10.00	0.94	0.88	7.80	124	852
6"	6.00	14.00	9.50	11.00	1.00	0.88	8.54	160	1272
8"	8.00	19.50	11.75	13.50	1.12	0.88	10.28	271	2278
10"	10.00	24.50	14.25	16.00	1.19	1.00	11.30	437	3588
12"	12.00	27.50	17.00	19.00	1.25	1.00	12.56	644	5342
14"	14.00	31.00	18.75	21.00	1.38	1.14	17.50	950	6512
16"	16.00	36.00	21.25	23.50	1.44	1.14	23.45	1160	8626
18"	18.00	36.00	22.75	25.00	1.56	1.25	27.50	1720	11488
20"	20.00	40.00	25.00	27.50	1.69	1.25	29.25	2094	14304

Cv = GPM @1 psi pressure drop, 60°F water

**Cv values are estimates only*

Apollo Valves / **Conbraco Industries, Inc.**
701 Matthews Mint-Hill Road, Matthews, NC 28105 USA
www.apollovalves.com | (704) 841-6000

This specification is provided for reference only. Conbraco Industries Inc. reserves the right to change any portion of this specification without notice and without incurring obligation to make such changes to Conbraco products previously or subsequently sold. Please visit our website @ www.apollovalves.com for the most current information.

