

# "Apollo"<sup>®</sup> INTERNATIONAL

## SUBMITTAL SHEET

### Model 910WB

Class 125 Wafer Check Valve



<b>Job Name:</b>	
<b>Job Location:</b>	
<b>Engineer:</b>	
<b>Contractor:</b>	
<b>Tag:</b>	
<b>PO Number:</b>	
<b>Representative:</b>	
<b>Wholesale Distributor:</b>	

### DESCRIPTION

The **Apollo International™** Model 910WB Cast Iron Wafer Check valve provides full flow capabilities. It provides reliable and economical protection against reverse flow. The Model 910WB Wafer Check valve can reliably be installed in most plumbing and heating systems (or building service piping).

### FEATURES

- Compatible with ANSI 125# & 150# Flanges
- Full Port
- Minimal Pressure drop
- Light Weight
- Spring Assisted Closing for quicker response

### PERFORMANCE RATING

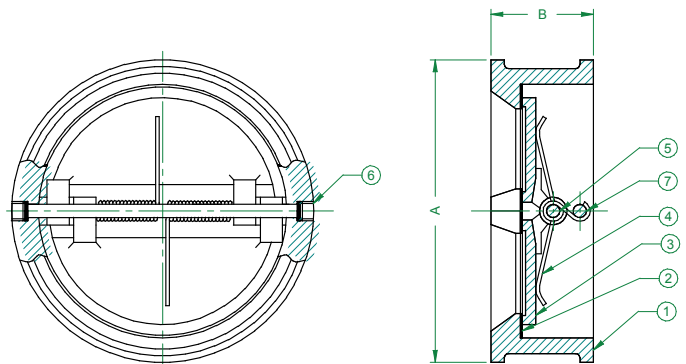
- **2"-12"**:  
250 psi (17.2 Bar) Non-Shock Cold Working Pressure  
Maximum Temperature to 180°F (82°C)
- **14"-24"**:  
150 psi (10.3 Bar) Non-Shock Cold Working Pressure  
Maximum Temperature to 180°F (82°C)

### STANDARD MATERIALS LIST

	Part Name	Material
1	Body	Cast Iron (ASTM A126 CL B)
2	Seat Ring	Nitrile (BUNA-N)
3	Disc	Aluminum Bronze
4	Spring	Stainless Steel 316
5	Stem	Stainless Steel 316
6	Screw	Carbon Steel
7	Pin	Stainless Steel 316

### DIMENSIONS

Part Number	Size (in.)	Dimensions (in.)		Wt. (lbs.)	Cv (Typ)
		A	B		
6WC108N1	2"	4.00	2.12	3	75
6WC109N1	2-1/2"	4.75	2.38	6	95
6WC100N1	3"	5.25	2.62	8	191
6WC10AN1	4"	6.75	2.62	13	377
6WC10BN1	5"	7.50	3.25	17	483
6WC10CN1	6"	8.50	3.75	25	821
6WC10EN1	8"	11.00	5.00	47	1,590
6WC10GN1	10"	13.25	5.50	67	2,920
6WC10HN1	12"	16.00	7.12	118	4,470
6WC10JN1	14"	17.75	7.25	132	5,870
6WC10KN1	16"	20.00	7.50	184	8,690
6WC10MN1	18"	21.50	8.00	223	10,940
6WC10NN1	20"	23.74	8.38	333	14,290
6WC10PN1	24"	28.00	8.75	474	23,000



Cv = GPM @1 psi pressure drop, 60°F water

\*Cv values are estimates only

Apollo Valves / **Conbraco Industries, Inc.**  
701 Matthews Mint-Hill Road, Matthews, NC 28105 USA  
[www.apollovalves.com](http://www.apollovalves.com) | (704) 841-6000

This specification is provided for reference only. Conbraco Industries Inc. reserves the right to change any portion of this specification without notice and without incurring obligation to make such changes to Conbraco products previously or subsequently sold. Please visit our website @ [www.apollovalves.com](http://www.apollovalves.com) for the most current information.

