

"Apollo"[®]
INTERNATIONAL

SUBMITTAL SHEET

920F Series

Class 250 Swing Check Valve



Job Name:	
Job Location:	
Engineer:	
Contractor:	
Tag:	
PO Number:	
Representative:	
Wholesale Distributor:	

DESCRIPTION

The **Apollo International™** Model 920F Flanged Cast Iron Swing Check valve provides full flow capabilities. It provides reliable and economical protection against reverse flow. The Model 920F Swing Check valve can reliably be installed in most plumbing and heating systems (or building service piping).

FEATURES

- Compatible with ANSI 250# & 300# Flanges
- Full Port
- Minimal Pressure drop
- Flanged Connection
- Bolted Bonnet
- Integral Seat

STANDARDS

- MSS SP-70, "Gray Iron Swing Check Valves Flanged and Threaded"
- ASME B1.1, "Unified Inch Screw Threads"
- ASME B16.10, "Face-to-Face and End-to-End Dimensions of Valves"

PERFORMANCE RATING

- Saturated Steam: 250 psi (17.2 Bar) to 406°F (207°C)
 - Cold Working Pressure: 500 psi (34.5 Bar) at 100°F
 - Temperature Range*: -20°F to 406°F
- * Valves should be in open position to allow complete drainage during freezing conditions.*

STANDARD MATERIALS LIST

Part Name	Material
Bolts	Steel (ASTM A307 B)
Nameplate	Aluminum
Bonnet	Cast Iron (ASTM A126 CL B)
Body Gasket	Graphite
Nuts	Steel (ASTM A307 B)
Side Plug	Brass (ASTM B16)
Gasket	Graphite
Hanger Pin	Brass (ASTM B16)
Hanger	Ductile Iron (ASTM A536 65-45-12)
Disc Ring	Cast Bronze (ASTM B62)
Disc	Cast Iron (ASTM A126 CL B)
Washer	Steel (ASTM A307 B)
Split Pin	Stainless Steel (ASTM 420 S42000)
Seat Ring	Cast Bronze (ASTM B62)
Body	Cast Iron (ASTM A126 CL B)
Disc Nut	Steel (ASTM A307 B)
Stud Bolt	Steel (ASTM A307 B)

ORDER INFORMATION

Size (in.)	Part Number
2"	6SC208B1
2-1/2"	6SC209B1
3"	6SC200B1
4"	6SC20AB1
5"	6SC20BB1
6"	6SC20CB1
8"	6SC20E01

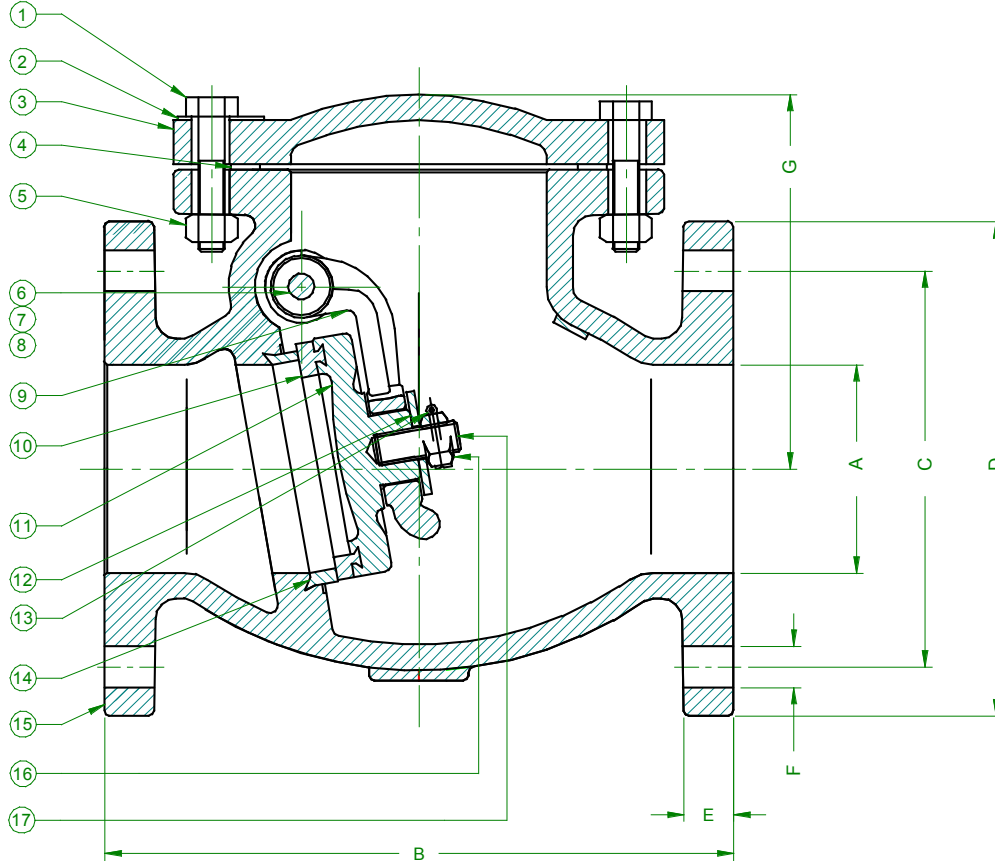
* Cast iron seat & disc ring

Apollo Valves / **Conbraco Industries, Inc.**
701 Matthews Mint-Hill Road, Matthews, NC 28105 USA
www.apollovalves.com | (704) 841-6000

This specification is provided for reference only. Conbraco Industries Inc. reserves the right to change any portion of this specification without notice and without incurring obligation to make such changes to Conbraco products previously or subsequently sold. Please visit our website @ www.apollovalves.com for the most current information.




APOLLO
 INTERNATIONAL
SUBMITTAL SHEET
920F Series
 Class 250 Swing Check Valve



Size (in.)	Dimensions (in.)							Wt. (lbs.)	Cv (Typ)
	A	B	C	D	E	F	G		
2"	2.00	10.50	5.00	6.50	0.88	0.75	4.41	30	132
2.5"	2.50	11.50	5.88	7.50	1.00	0.88	5.24	44	192
3"	3.00	12.50	6.62	8.25	1.12	0.88	5.67	55	298
4"	4.00	14.00	7.88	10.00	1.25	0.88	6.61	90	526
5"	5.00	15.75	9.25	11.00	1.38	0.88	7.80	135	852
6"	6.00	17.50	10.62	12.50	1.44	0.88	8.54	172	1,272
8"	8.00	21.00	13.00	15.00	1.62	1.00	10.28	289	2,278

$C_v = \text{GPM} @ 1 \text{ psi pressure drop, } 60^\circ\text{F water}$

* C_v values are estimates only

Apollo Valves / **Conbraco Industries, Inc.**
 701 Matthews Mint-Hill Road, Matthews, NC 28105 USA
www.apollovalves.com | (704) 841-6000

This specification is provided for reference only. Conbraco Industries Inc. reserves the right to change any portion of this specification without notice and without incurring obligation to make such changes to Conbraco products previously or subsequently sold. Please visit our website @ www.apollovalves.com for the most current information.

