

"Apollo"[®] INTERNATIONAL

SUBMITTAL SHEET

LEAD FREE 94ALF-A Series

Full Port Brass Ball Valve



Job Name:	
Job Location:	
Engineer:	
Contractor:	
Tag:	
PO Number:	
Representative:	
Wholesale Distributor:	



DESCRIPTION

The **Apollo International™** 94ALF-A Lead Free* forged brass ball valves combine reliable operation with maximum economy. Now with multi-agency approvals, the 94ALF-A is ideal for gas, fuels, fire protection and general plumbing and HVAC applications including potable water. Valves are ANSI 3rd party Lead Free* certified.

FEATURES

- Lead Free* materials and certification
- Distinctive white "Lead Free" handle grip and blue "Lead Free" hang tag
- 2-Piece, Full-Port design
- Blow-out Proof Stem
- Adjustable Stem Packing Nut
- Multiple agency approvals

PERFORMANCE RATING

- Valve Design Rating:
600 CWP – 1/4" to 2"
400 CWP – 2-1/2" to 4"
- Temperature Range: -20°F to 366°F

APPROVALS

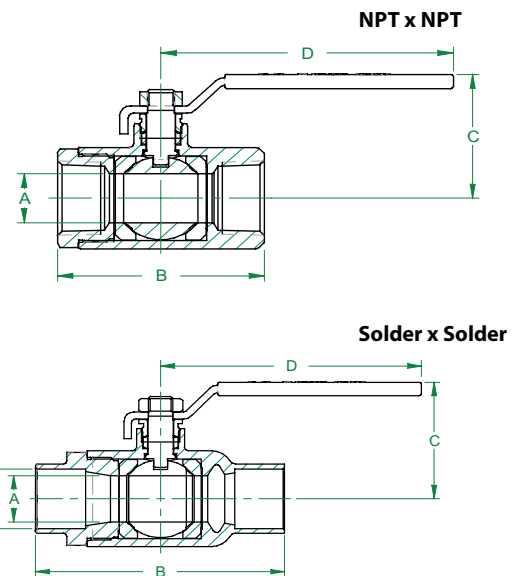
- MSS SP-110 - Ball Valves...
 - NSF/ANSI 61-8, Annex F & G
 - NSF/ANSI 372 Lead Free
 - IAPMO IGC 157 (cUPC)
 - ANSI Z21.15 (1/2 psi) (CSA 9.1) (1/4" – 2")
 - ASME B16.44 (5 psi) (CR91-002) (1/4" – 2")
 - ASME B16.33 (125 psi) (CGA 3.16) (1/2" – 2")
 - UL: Guides YQNZ, YRBX, YRPV, YSDT and MHKZ (1/4" – 4" NPT only)
 - UL 258 – VQGU Trim & Drain 175# max (1/4" – 2")
 - FM 1140 (1/4" - 2" NPT & Solder)
- Note: Gas approvals apply to NPT valves only*

STANDARD MATERIALS LIST

Part Name	Material
Body	Lead Free Brass (DZR)
Retainer	Lead Free Brass (DZR)
Ball 1/4" - 1"	Lead Free Brass (DZR), Chr. Plated
Ball 1-1/4" - 4"	SS Type 316
Stem	Brass C36000
Seats	PTFE
Stem Packing	PTFE
Gland Nut	Brass, C37700
Seal	PTFE
Handle	Steel, plated (with PVC grip)
Handle Nut	Steel, plated

DIMENSIONS

Part Number	Size (in.)	Dimensions (in.)					Wt. (lbs.)	Options
		A	B	C	D	E		
NPT								
94ALF-101-01A	1/4"	0.39	1.76	1.73	3.54	-	0.29	2-1/4" Stem Extension Kit
94ALF-102-01A	3/8"	0.39	1.76	1.73	3.54	-	0.30	78217101
94ALF-103-01A	1/2"	0.59	2.05	1.94	3.54	-	0.44	78217201
94ALF-104-01A	3/4"	0.75	2.36	2.11	3.78	-	0.71	78217301
94ALF-105-01A	1"	0.95	2.76	2.58	4.53	-	1.10	78217401
94ALF-106-01A	1-1/4"	1.26	3.31	2.96	4.53	-	1.63	78217501
94ALF-107-01A	1-1/2"	1.58	3.66	3.37	5.51	-	2.41	78217601
94ALF-108-01A	2"	1.97	4.18	3.70	5.51	-	3.66	78217701
94ALF-109-01A	2-1/2"	2.52	5.38	4.76	8.66	-	7.60	78217701
94ALF-100-01A	3"	2.95	6.04	5.08	8.66	-	9.60	78217801
94ALF-10A-01A	4"	3.90	7.39	5.86	9.61	-	21.00	78217801
SOLDER								
94ALF-203-01A	1/2"	0.59	2.05	1.84	3.54	0.63	0.40	78217201
94ALF-204-01A	3/4"	0.75	2.75	2.00	3.78	0.88	0.68	78217301
94ALF-205-01A	1"	0.95	3.23	2.45	4.53	1.13	1.15	78217401
94ALF-206-01A	1-1/4"	1.26	3.82	2.86	4.53	1.38	1.53	78217501
94ALF-207-01A	1-1/2"	1.57	4.43	3.17	5.51	1.63	2.31	78217601
94ALF-208-01A	2"	1.96	5.38	3.49	5.51	2.13	3.77	78217701
94ALF-209-01A	2-1/2"	2.52	6.28	4.76	8.66	2.63	6.79	78217701
94ALF-200-01A	3"	2.92	7.15	5.08	8.66	3.13	8.67	78217801
94ALF-20A-01A	4"	3.90	9.28	5.87	9.61	4.13	16.67	78217801



* LEAD FREE: The wetted surfaces of this product shall contain no more than 0.25% lead by weighted average. Complies with CA AB1953, VT Act 193, MD HB372, LA HB471 and Federal Public Law 111-380. ANSI 3rd party approved and listed.

This specification is provided for reference only. Conbraco Industries Inc. reserves the right to change any portion of this specification without notice and without incurring obligation to make such changes to Conbraco products previously or subsequently sold. Please visit our website @ www.apollovalves.com for the most current information.

Apollo Valves / **Conbraco Industries, Inc.**
701 Matthews Mint-Hill Road, Matthews, NC 28105 USA
www.apollovalves.com | (704) 841-6000

