

# "Apollo"<sup>®</sup> INTERNATIONAL

## SUBMITTAL SHEET

**LEAD FREE**  
**94XLF Series**

Standard Port Brass Ball Valve

**APOLLOPEX<sup>™</sup>**



<b>Job Name:</b>	
<b>Job Location:</b>	
<b>Engineer:</b>	
<b>Contractor:</b>	
<b>Tag:</b>	
<b>PO Number:</b>	
<b>Representative:</b>	
<b>Wholesale Distributor:</b>	



### DESCRIPTION

The Apollo<sup>®</sup> International 94XLF Lead Free\* DZR forged brass ball valves combine reliable operation with maximum economy. Ideal for plumbing and heating applications including potable water. Valves are ANSI 3rd party Lead Free\* certified and listed to NSF 14, NSF 61 and NSF 372.

### FEATURES

- Lead Free\* DZR materials and certification
- ASTM F1807 Pex design
- White Handle Grip identifies Lead Free construction
- Standard Port design
- Double O-ring stem seal
- Blow-out Proof Stem Design
- Silicone Free assembly

### APPROVALS

- NSF 61-8
- NSF 372 Lead Free ANSI 3rd Party Certified
- NSF 14
- ASTM F1807 Conformance

*Refer to Pex Piping Guidelines*

### STANDARD MATERIALS LIST

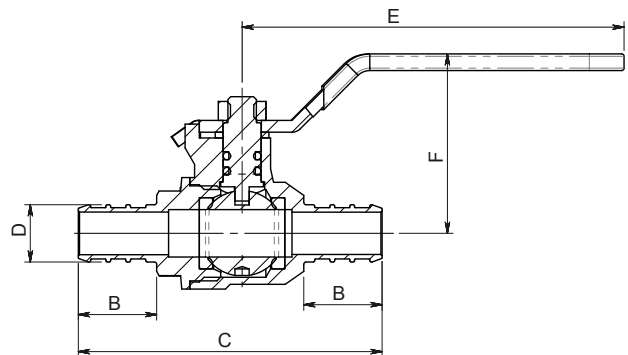
Part Name	Material
Body	Lead Free DZR Brass
Retainer	Lead Free DZR Brass
Ball	Lead Free DZR Brass
Stem	Brass C36000
Seats	PTFE
Stem O-Ring Seals	EPDM
Gland Nut	Brass, C37700
Handle	Steel, plated (with PVC grip)
Handle Nut	Stainless Steel

### PERFORMANCE RATING

- Valve Design Rating:
  - 160 psi at 73°F
  - 100 psi at 180°F
  - 80 psi at 200°F
- Ball Valve Rating (valve only):
  - 400 CWP

### DIMENSIONS

Model Number	Size (in.)	Dimensions (in.)					Wt. (lbs.)
		B	C	D	E	F	
94XLF-103-01	1/2	0.65	2.52	.47	3.17	1.49	.25
94XLF-104-01	3/4	0.65	2.62	.67	3.17	1.57	.41
94XLF-105-01	1	0.80	2.91	.86	3.17	1.57	.57



\* LEAD FREE: The wetted surfaces of this product shall contain no more than 0.25% lead by weighted average. Complies with CA AB1953, VT Act 193, MD HB372, LA HB471 and Federal Public Law 111-380. ANSI 3rd party approved and listed.

Apollo Valves / **Conbraco Industries, Inc.**  
701 Matthews Mint-Hill Road, Matthews, NC 28105 USA  
[www.apollovalves.com](http://www.apollovalves.com) | (704) 841-6000

This specification is provided for reference only. Conbraco Industries Inc. reserves the right to change any portion of this specification without notice and without incurring obligation to make such changes to Conbraco products previously or subsequently sold. Please visit our website @ [www.apollovalves.com](http://www.apollovalves.com) for the most current information.

