



Lead Free*

MODEL MVA-LF

MASTER MIXING VALVE

(34ALF Series)

Job Name:	Contractor:
Job Location:	P.O. Number:
Engineer:	Representative:
Tag:	Wholesale Distributor:

DESCRIPTION

The Apollo® MVA-LF (34ALF Series) thermostatic master mixing valves are designed for ASSE 1017 “Point of Source” approved applications. They provide hot water temperature control of potable and non-potable hot water distribution systems. The valves are built using “Lead Free**” materials and are available with a variety of options and end connections.

FEATURES

- Superior thermostatic element technology for optimum performance, reliability and accuracy
- Integral inlet strainers and check valves to protect against cross-flow and foreign particles in the piping system
- Thermostat over-temperature protection
- Tamper resistant maximum temperature calibration option
- Fingertip temperature control
- Instantaneous cold or hot water supply failure shut-off protection
- Multiple connection options to fit your specific needs



MATERIAL

Body: C89836 Lead Free* Bronze
 Shuttle: Noryl® Modified PPO (Polyphenylene Oxide)
 Sensor: Copper/Wax filled
 O-ring: Chloramine Resistant EPDM
 Spring: ASTM A313 Stainless Steel
 Cap: ABS (Acrylonitrile Butadiene Styrene)

APPROVALS

ASSE 1017 – Temperature Actuated Mixing Valve for Hot Water Distribution
CSA B125.3 – Plumbing Supply Fittings
NSF 372- Lead-Free* ANSI 3rd Party Certified



* **LEAD FREE:** The wetted surfaces of this product shall contain no more than 0.25% lead by weighted average. Complies with CA AB1953, VT Act 193, MD HB372, LA HB471 and Federal Public Law 111-380.

PERFORMANCE RATING

Maximum working pressure	= 150 psig (1034 kPa)
Maximum working temperature	= 210°F (99°C)
Cold water inlet temperature range	= 39 – 80°F (4 – 27°C)
Hot water inlet temperature range	= 120 – 180°F (49 – 82°C)
Minimum Flowrate**	= ½ gpm (1.9 lpm)
Flowrate at 30 psid (138 kPa)	= 19 gpm (64 lpm)
Mixed water temperature range	= 85 – 140°F (30 - 60°C)
Mixed water temperature tolerance	= ± 5°F (1.7 °C)

** Minimum flow when the valve is installed with recirculating pump.

CONFIGURATION**

Size
 ½" ¾" 1"

Inlets
 Threaded Solder CPVC Pex

Outlet
 Threaded Solder CPVC Pex

OPTIONS

Max Temperature Limit Stop (B)
 Preset, 120°F maximum temperature

Conbraco Industries, Inc. 701 Matthews Mint Hill Rd. Matthews NC 28106 USA; www.apollovalves.com ; 704-841-6000

This specification is provided for reference only. Conbraco reserves the right to change any portion of this specification without notice and without incurring obligation to make such changes to Conbraco products previously or subsequently sold.

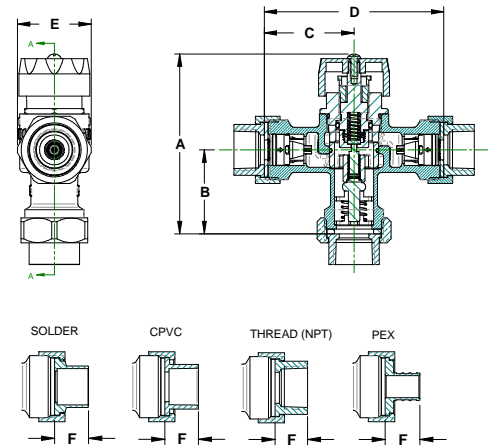
MODEL MVA - LF

MASTER MIXING VALVE

(34ALF SERIES)

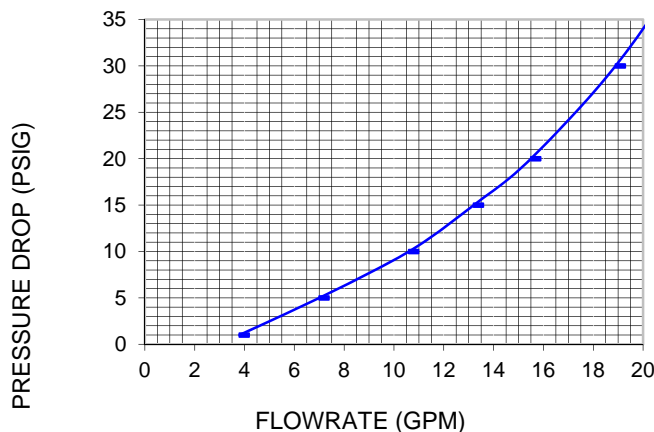
DIMENSIONS (Other end connection combinations are available upon request)

Model Number	Series Number	Connection Type	Dimensions (in.)						Unit Wt. (lbs.)	
			A	B	C	D	E	F		
MVA-12-LF	34ALF213T	½" FNPT	3.73	2.11	2.28	4.56	1.87	0.73	2.75	
MVA-34-LF	34ALF214T	¾" FNPT						0.77	2.84	
MVA-1-LF	34ALF215T	1" FNPT						2.12	0.94	2.93
MVAS-12-LF	34ALF213S	½" SOLDER	3.73	2.11	2.28	4.56	1.87	0.81	2.54	
MVAS-34-LF	34ALF214S	¾" SOLDER						0.81	2.60	
MVAS-1-LF	34ALF215S	1" SOLDER						2.12	0.94	2.66
MVAC-12-LF	34ALF213C	½" CPVC	3.73	2.11	2.28	4.56	1.87	0.58	2.39	
MVAC-34-LF	34ALF214C	¾" CPVC						0.80	2.42	
MVAC-1-LF	34ALF215C	1" CPVC						2.12	1.09	2.45
MVAX-12-LF	34ALF213X	½" PEX	3.73	2.11	2.28	4.56	1.87	0.83	2.54	
MVAX-34-LF	34ALF214X	¾" PEX						0.83	2.60	
MVAX-1-LF	34ALF215X	1" PEX						2.12	1.04	2.66



MODEL NUMBERS	Size & Connection	Standard		120°F Adjustment Limit Stop	
		Order Number	Model Number	Order Number	Model Number
	½" FNPT	34ALF213T	MVA-12-LF	34ALF213BT	MVAB-12-LF
	¾" FNPT	34ALF214T	MVA-34-LF	34ALF214BT	MVAB-34-LF
	1" FNPT	34ALF215T	MVA-1-LF	34ALF215BT	MVAB-1-LF
	½" SOLDER	34ALF213S	MVAS-12-LF	34ALF213BS	MVABS-12-LF
	¾" SOLDER	34ALF214S	MVAS-34-LF	34ALF214BS	MVABS-34-LF
	1" SOLDER	34ALF215S	MVAS-1-LF	34ALF215BS	MVABS-1-LF
	½" CPVC	34ALF213C	MVAC-12-LF	34ALF213BC	MVABC-12-LF
	¾" CPVC	34ALF214C	MVAC-34-LF	34ALF214BC	MVABC-34-LF
	1" CPVC	34ALF215C	MVAC-1-LF	34ALF215BC	MVABC-1-LF
	½" PEX	34ALF213X	MVAX-12-LF	34ALF213BX	MVABX-12-LF
	¾" PEX	34ALF214X	MVAX-34-LF	34ALF214BX	MVABX-34-LF
	1" PEX	34ALF215X	MVAX-1-LF	34ALF215BX	MVABX-1-LF

FLOW CURVE Flow curve is based on the following: Cold and hot water inlet pressures at 45 psig; cold water supply temperature at 55 ±5 °F; hot water supply temperature at 140 ±5 °F, and mixed water temperature at 105 ±5 °F.



Conbraco Industries, Inc. 701 Matthews Mint Hill Rd. Matthews NC 28106 USA; www.apollovalves.com ; 704-841-6000

This specification is provided for reference only. Conbraco reserves the right to change any portion of this specification without notice and without incurring obligation to make such changes to Conbraco products previously or subsequently sold.