

78-124 & 78-125 SERIES

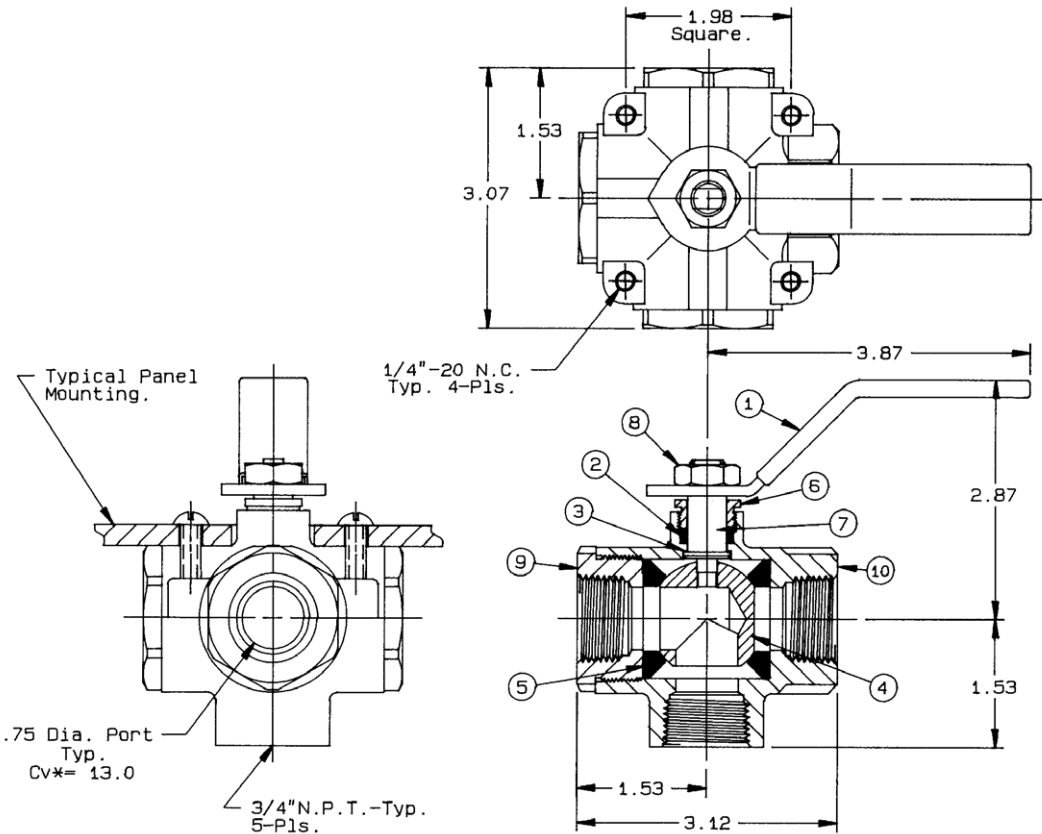
Bronze 5-Port Fuel Selector Ball Valve

Female NPT Thread. 50 CWP (psig).



FEATURES

- SS lever and nut
- Non-lubricated design
- Operation: Four selected inlets feed on common outlet. Pointer on handle indicates the selected inlet
- Blow-out-proof stem design
- Adjustable packing gland
- PTFE seats



STANDARD MATERIAL LIST

PART	PART	MATERIAL
1	Lever and grip	304 SS w/vinyl
2	Stem packing	MPTFE
3	Stem bearing	RPTFE
4	Ball	B16, chrome plated
5	Seat (4)	PTFE
6	Gland nut	B16
7	Stem	B16
8	Lever nut	304 SS
9	Retainer (3)	B16
10	Body	B584-C84400

PRODUCT NUMBER	SIZE	A	B	C	D	E	F	G	H	WT./100
78-124-01	1/2"	0.50	1.26	2.52	2.27	3.53	1.12	10-24	1.40	106
78-125-01A	3/4"	0.75	1.53	3.12	2.87	3.87	1.53	1/4-20	1.98	264