



Lead Free*

Model AVB1LF

ATMOSPHERIC TYPE VACUUM BREAKER

Job Name:	Contractor:
Job Location:	P.O. Number:
Engineer:	Representative:
Tag:	Wholesale Distributor:

SPECIFICATIONS

The **Lead Free*** Apollo® Model AVB1LF (38LF-100) Atmospheric Type Vacuum Breaker is designed to prevent contamination of potable water due to back-siphonage. This vacuum breaker is not designed for backpressure conditions or continuous pressure applications of more than 12 hours in a 24 hours period. The Apollo® Model AVB1LF is recommended for low flow installations that use small amounts of water and should only be installed in areas where spillage of water would not cause damage.

FEATURES

- **Lead Free*** AB 1953 Certified
- Corrosion resistant
- Compact and easy to maintain
- Suitable for hot or cold water service
- **MADE IN THE USA**



MATERIAL SPECIFICATIONS

Part Name	Material
Body	UNS C89836 Lead Free* Bronze
Seat Disc	Silicone
Float	Polypropylene/Polyethylene
Guide	UNS C36000 Brass
Cap	UNS C89836 Lead Free* Bronze
Canopy	Plated Steel/Brass
Gasket/O-Ring	Polypropylene/Buna-N

DIMENSIONS (in.) – WEIGHTS (lbs.)

Size	A	B	C	Wt.
1/4"	7/8	2 3/8	1	.51
3/8"	7/8	2 3/8	1	.48
1/2"	1 1/8	2 1/2	1 1/4	.55
3/4"	1 3/8	3 1/8	1 1/2	.80
1"	1 3/4	4 1/8	1 7/8	1.74
1 1/4"	2	4 3/8	2	3.16
1 1/2"	2	4 3/8	2	2.89
2"	2 1/8	4 1/2	2 1/4	3.69

ORDERING INFORMATION

38LF - 1 0 X - 0 X

**FINISH
SIZE**

SIZE

- | | | |
|-------------------------------------|-----------------------------------|-------------------------------------|
| <input type="checkbox"/> 1 - 1/4" | <input type="checkbox"/> 2 - 3/8" | <input type="checkbox"/> 3 - 1/2" |
| <input type="checkbox"/> 4 - 3/4" | <input type="checkbox"/> 5 - 1" | <input type="checkbox"/> 6 - 1 1/4" |
| <input type="checkbox"/> 7 - 1 1/2" | <input type="checkbox"/> 8 - 2" | |

FINISH

- 1 - Rough Brass
- 3 - Rough Chrome
- 4 - Polished Brass
- 6 - Polished Chrome

Note: 1 1/4" - 2" Rough brass only and Nitrile o-ring in place of gasket

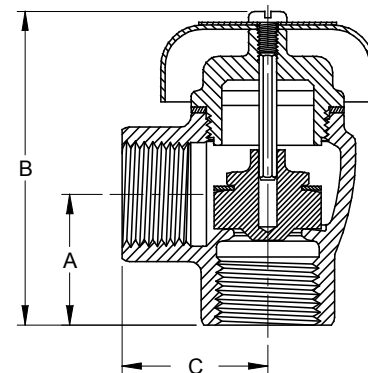
APPROVALS

ASSE® 1001
ANSI 3rd Party Approval to AB 1953 0.25% Lead Max

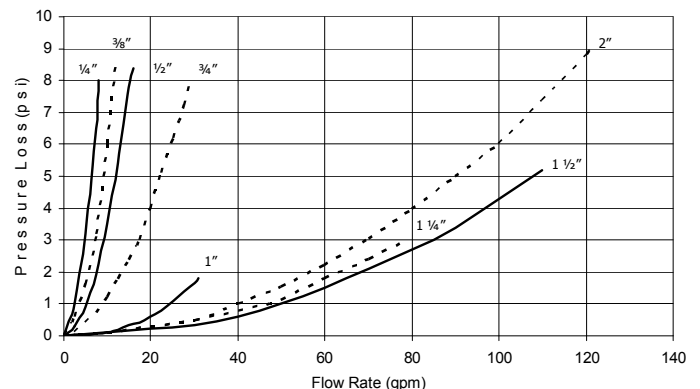
PERFORMANCE RATING

Maximum Operating Pressure 125 psig
Temperature Range: 33 °F - 212 °F for 1/4" thru 1"
Temperature Range: 33 °F - 180 °F for 1 1/4" thru 2"

Lead Free*: The wetted surfaces of this product shall contain no more than 0.25% lead by weighted average. Complies with AB 1953 and VT S.152. ANSI 3rd party certified and listed.



FLOW CURVES



Conbraco Industries, Inc. 701 Matthews Mint Hill Rd. Matthews NC 28105 USA; www.apollovalves.com; 704-841-6000

This specification is provided for reference only. Conbraco reserves the right to change any portion of this specification without notice and without incurring obligation to make such changes to Conbraco products previously or subsequently sold.